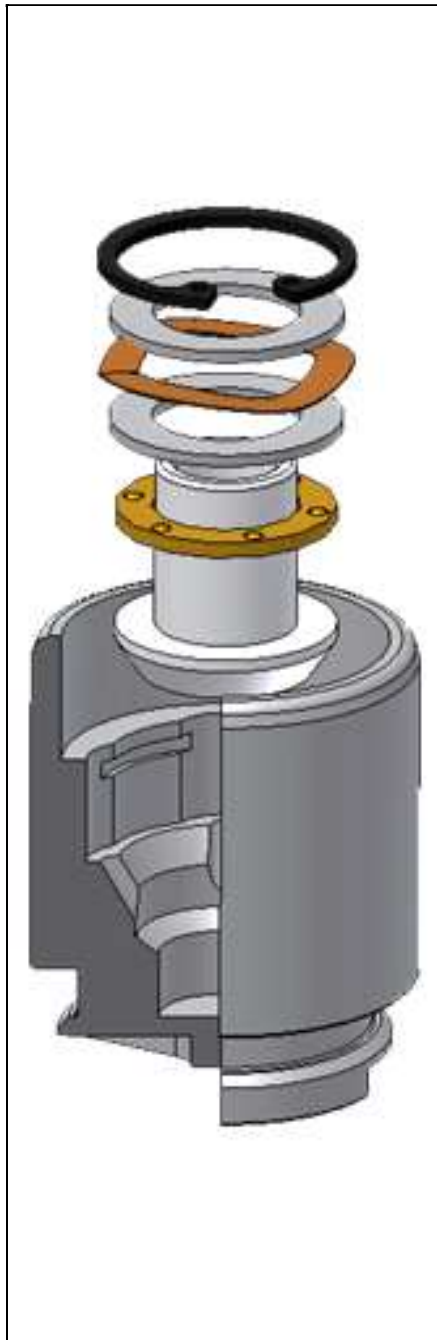
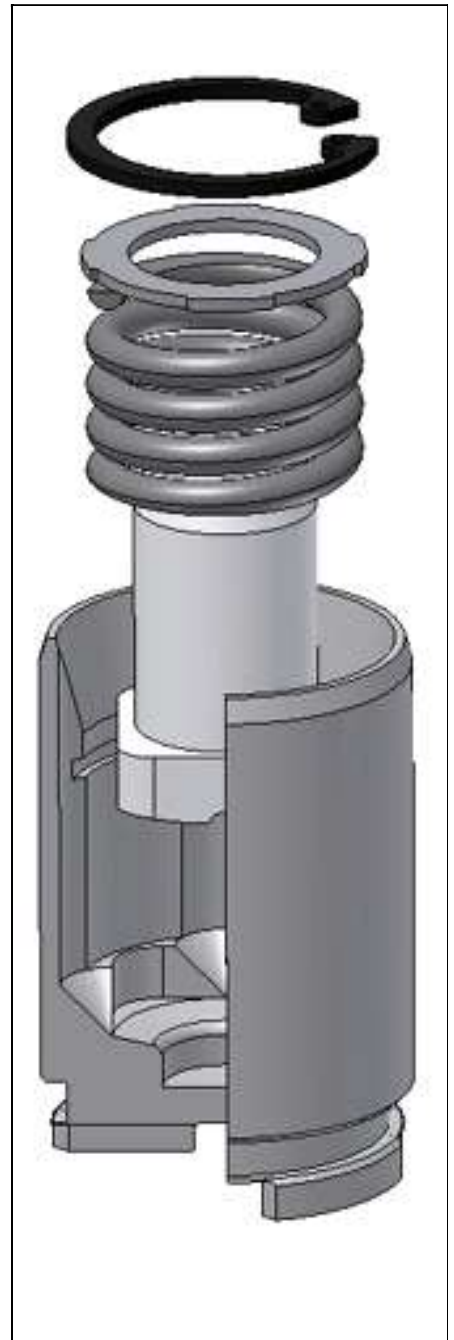


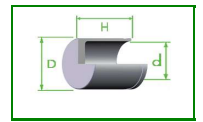
K303801		
D=30	d=24	H=38,5
Rear Piston Ø30 Bosch Type		
CITROEN, PEUGEOT, RENAULT		



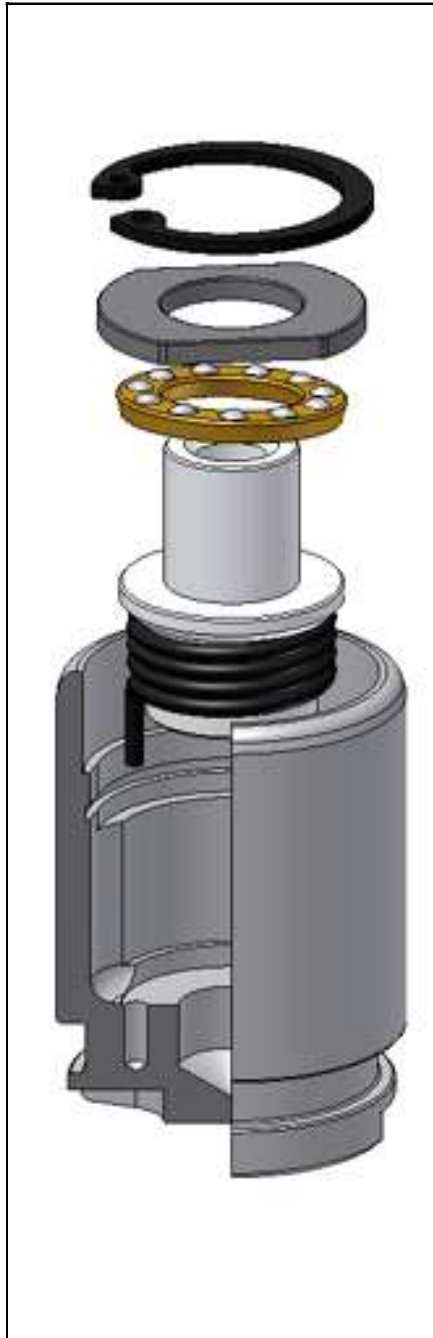
K304001		
D=30	d=26	H=40
Rear Piston Ø30 Akebono Type		
DAIHATSU CHARADE, MAZDA MX-3		



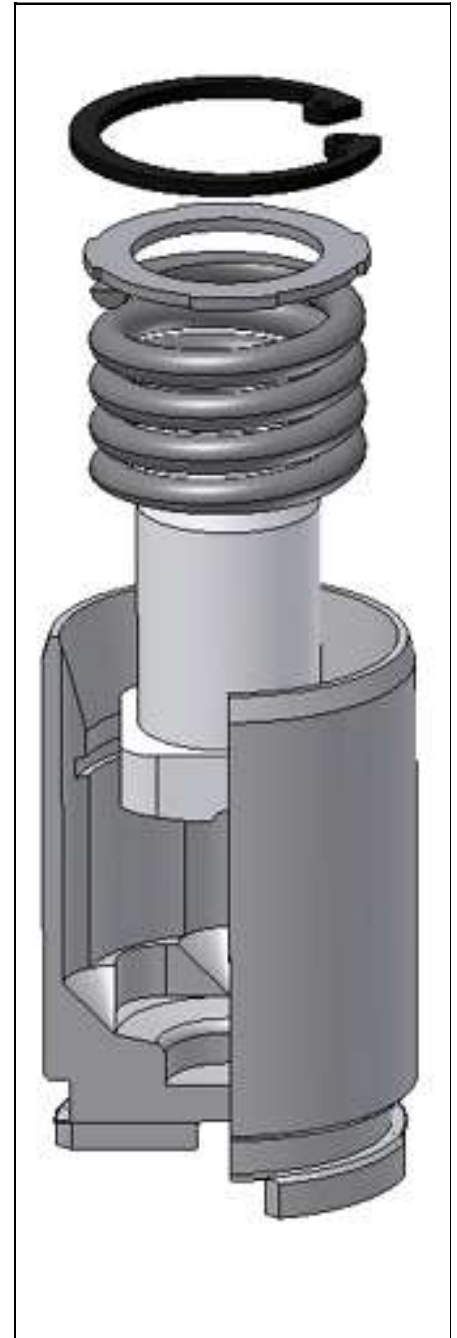
K304002		
D=30,2	d=27	H=40,5
Rear Piston Ø30 Nih Type		
HONDA ACCORD, INTEGRA, PRELUDE		



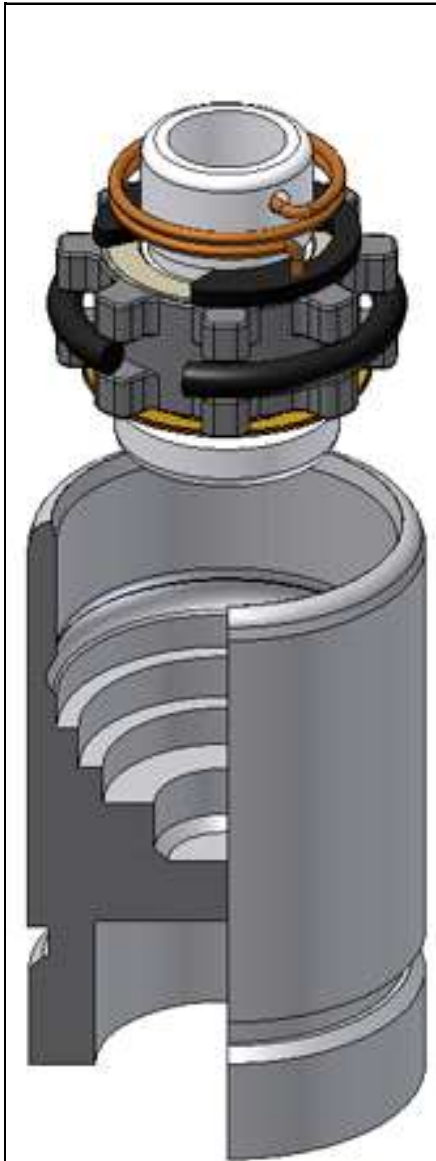
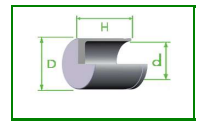
K304101		
D=30	d=26,3	H=41,6
Rear Piston Ø30 Akebono Type		
MAZDA 323, 626; FORD PROBE		



K304102		
D=30	d=24,5	H=41
Rear Piston Ø30 Akebono Type		
NISSAN		



K304301		
D=30	d=27	H=43,8
Rear Piston Ø30 Lucas/Nissin Type		
HONDA CIVIC , CONCERTO, CRX; ROVER 25,45,STREET, 200-400 SERIES		



K304501

D=30	d=25,8	H=45,5
------	--------	--------

Rear Piston Ø30 Nabco Type

DAIHATSU, FORD, MAZDA, SUZUKI



K304502

D=30	d=26	H=45
------	------	------

Rear Piston Ø30 Akebono Type

NISSAN PULSAR, SUNNY, 100NX

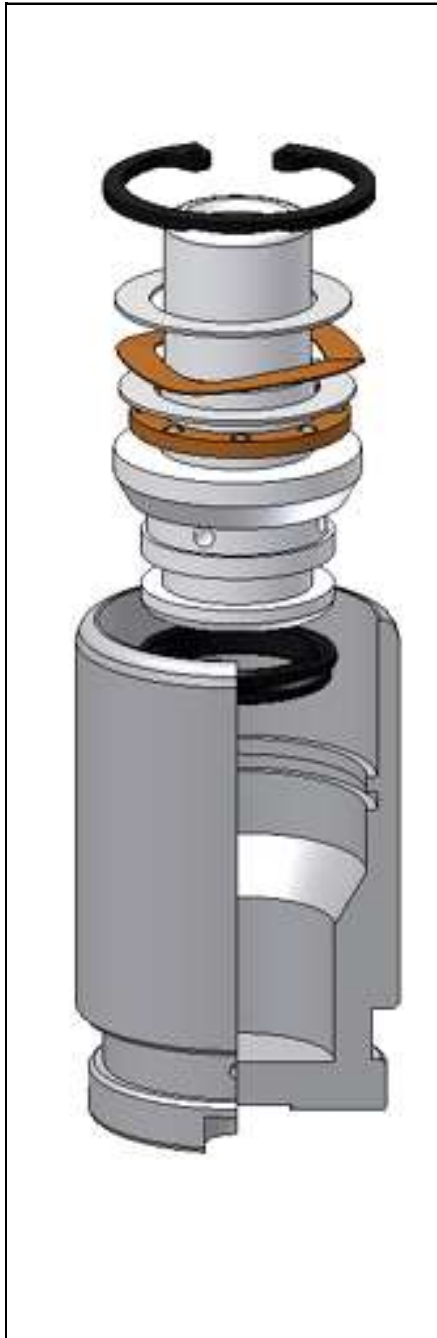
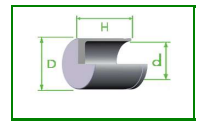


K304503

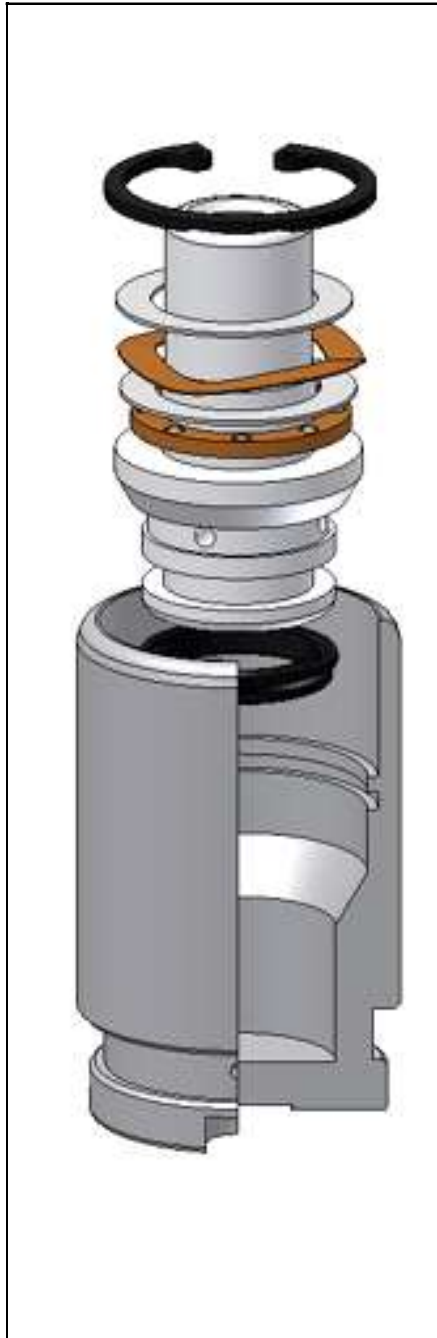
D=30	d=26	H=45
------	------	------

Rear Piston Ø30 Akebono Type

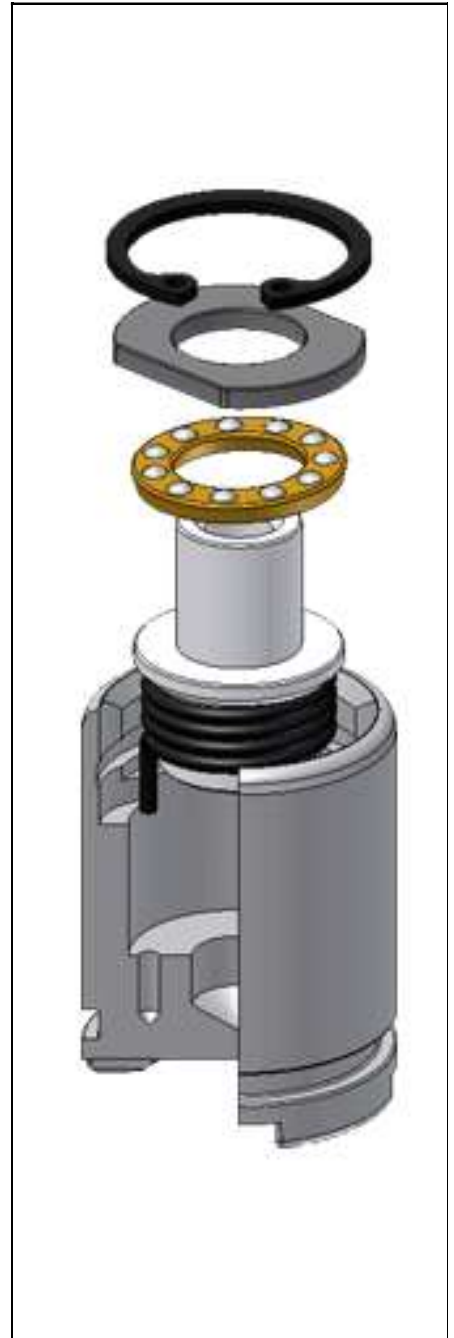
mitsubishi colt, eclipse, galant,
LANCER; TOYOTA COROLLA



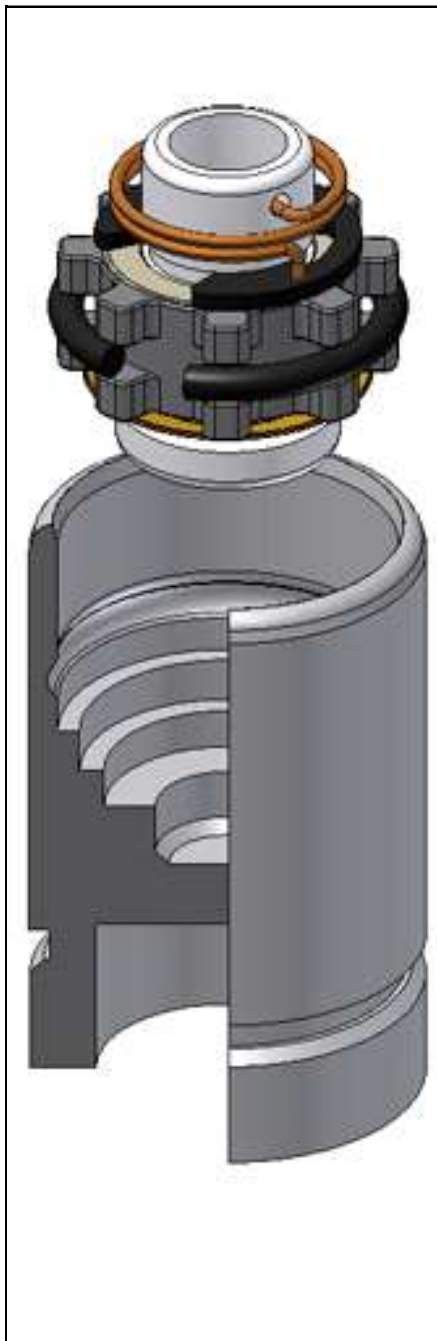
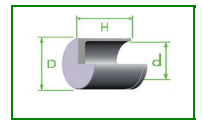
K304504		
D=30	d=25,5	H=45
Rear Piston Ø30 Tokico Type		
SUZUKI SWIFT		



K304601		
D=30	d=26	H=46,7
Rear Piston Ø30 Nissin/Lucas Type		
NISSAN ALMERA, MICRA		



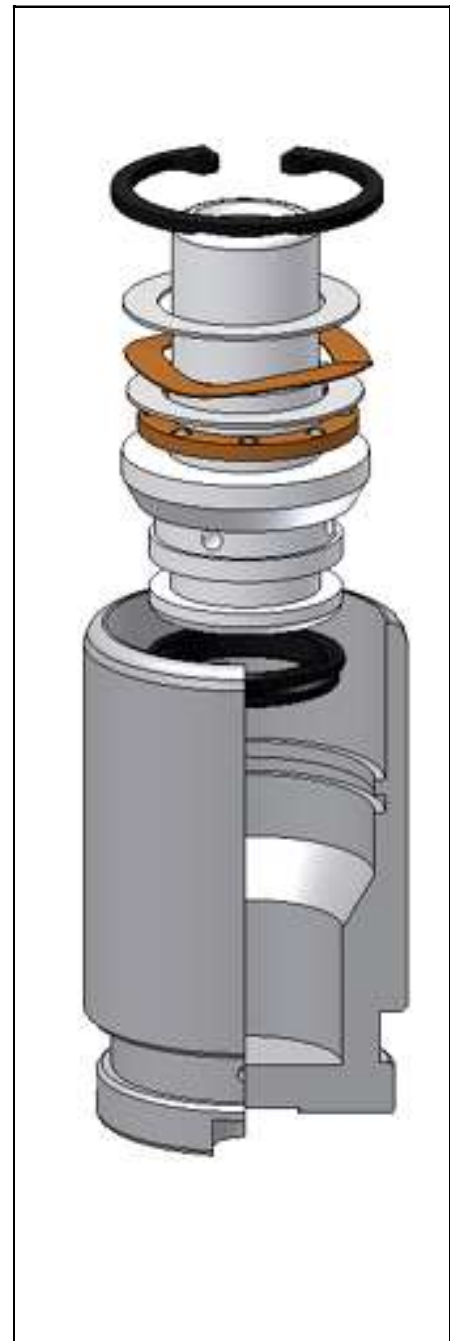
K323801		
D=32	d=24	H=38,5
Rear Piston Ø32 Citroen Bosch Type		
CITROEN XSARA, ZX; PEUGEOT 306		



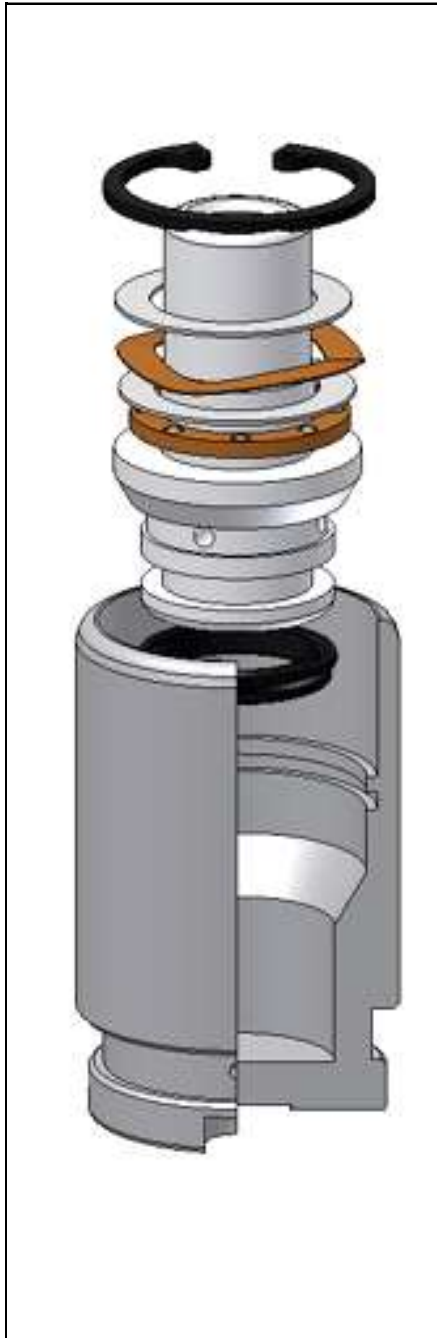
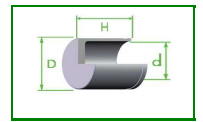
K324501		
D=32	d=25,7	H=45,5
Rear Piston Ø32 Nishinbo type		
MAZDA MX5		



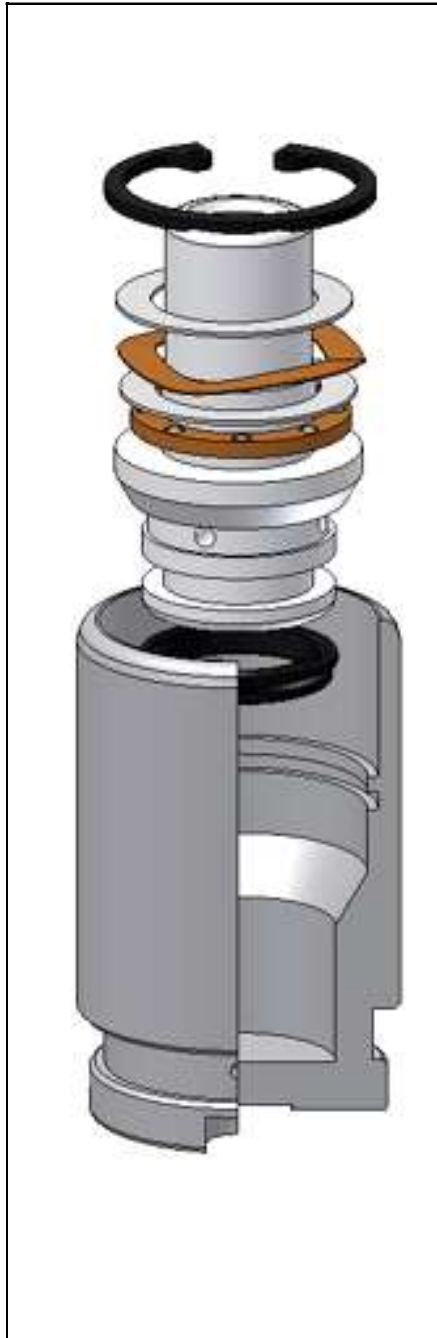
K334401		
D=33	d=25,8	H=44,1
Rear Piston Ø33 Ate Type		
SAAB 900, 9000; VOLVO 440-460-480		



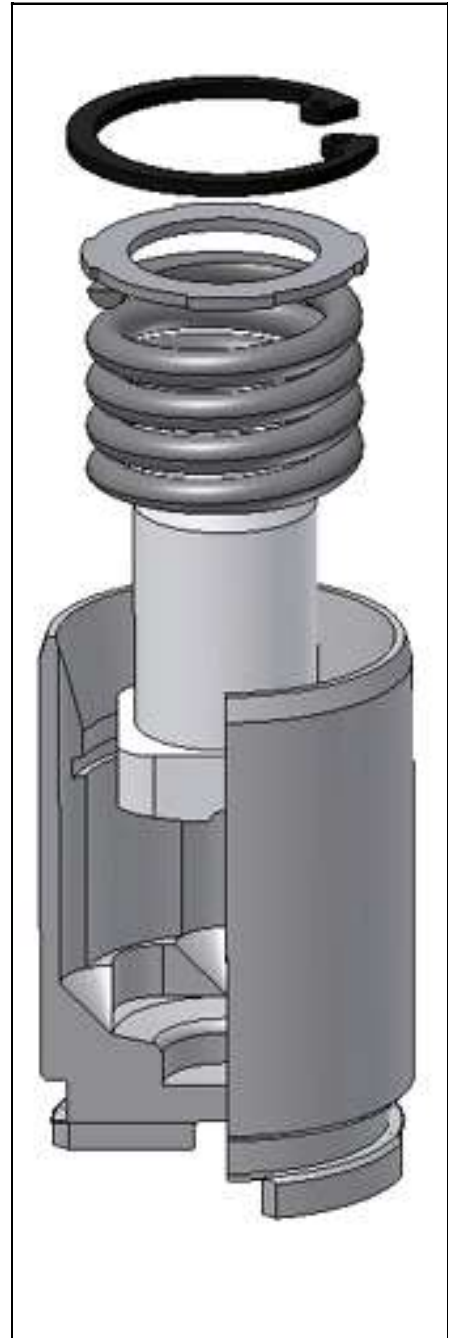
K334601		
D=34	d=29	H=46,8
Rear Piston Ø33 Lucas Type		
ALFA,VAG GROUP,FIAT,GM GROUP, HYUNDAI,KIA,LANCIA,MAZDA,MITSUBISHI		



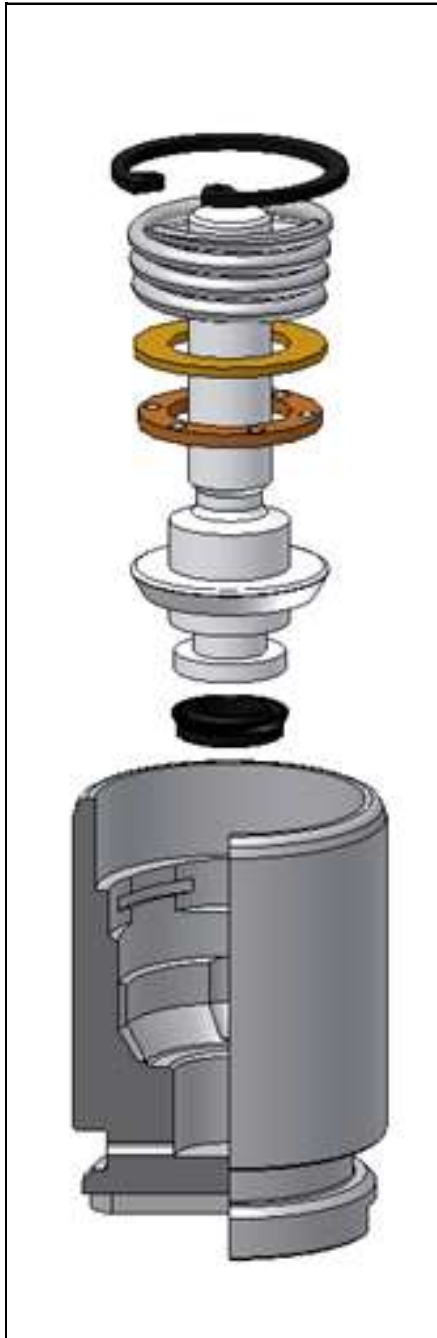
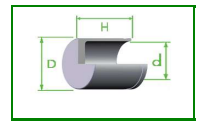
K344101		
D=34	d=29,4	H=41
Rear Piston Ø34 Kpw Type		
KIA CARENS, SHEPIA, SHUMA		



K344201		
D=34	d=30	H=42,8
Rear Piston Ø34 Kasco Type		
KIA PICANTO		



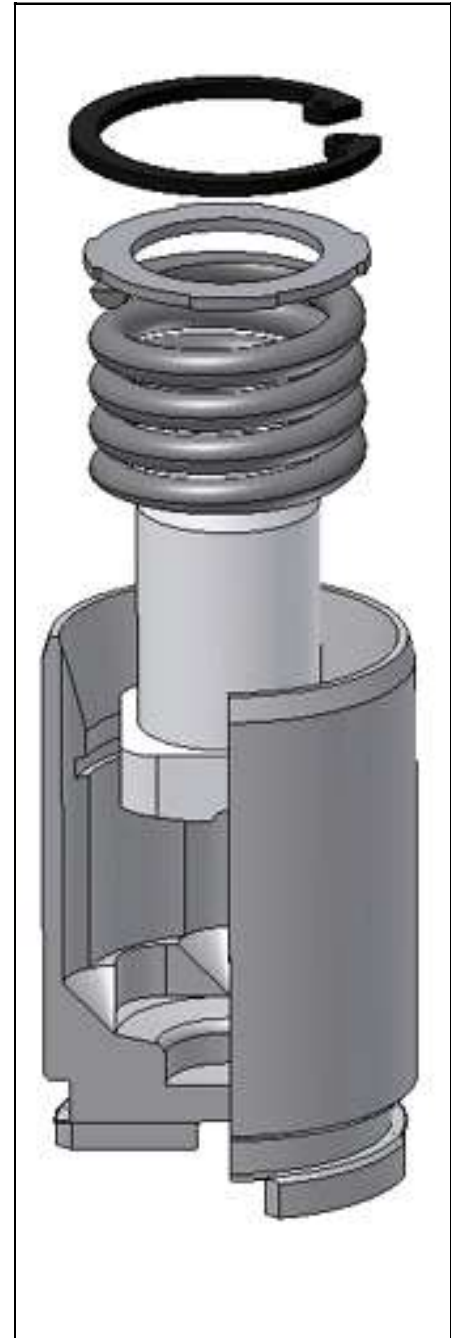
K344401		
D=34	d=28	H=44
Rear Piston Ø34 Nissin Type		
HONDA PRELUDE		



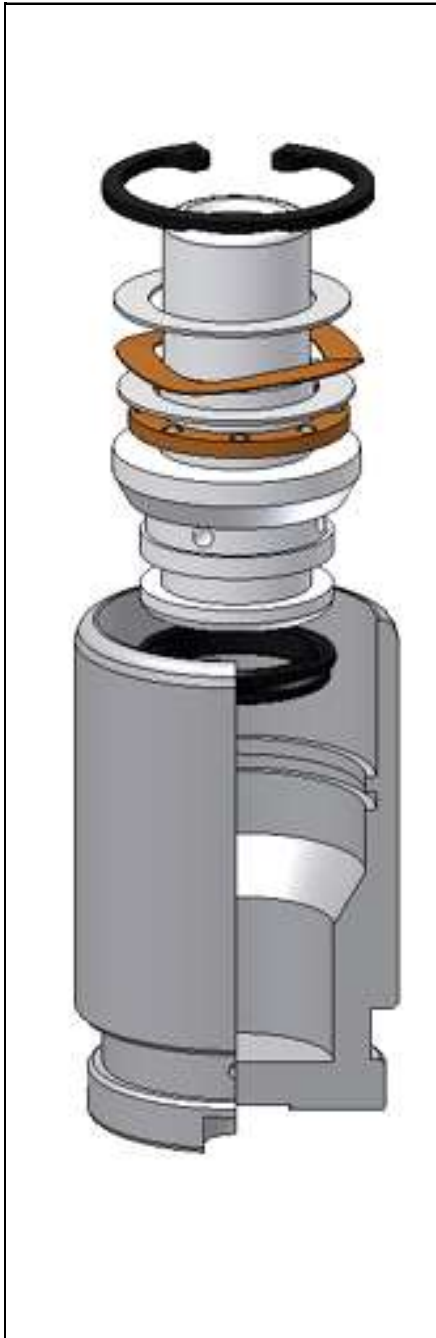
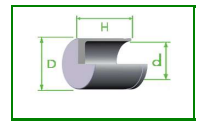
K344603		
D=34	d=30	H=46
Rear Piston Ø34 Akeb. Type		
HONDA ACCORD VII SERIES		



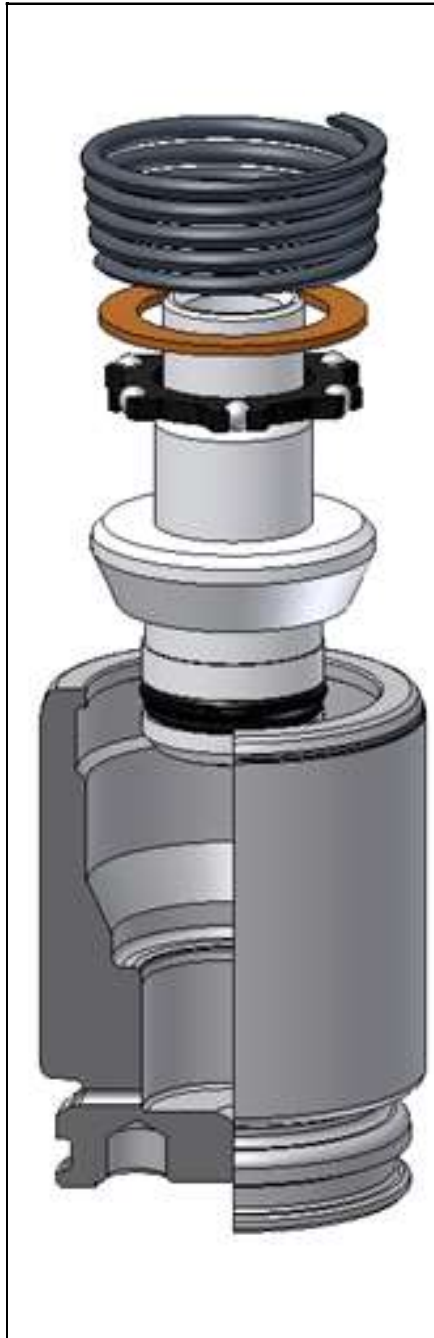
K344701		
D=34	d=31	H=47
Rear Piston Ø34 Bosch Type		
OPEL ASTRA, ZAFIRA		



K344702		
D=34	d=28	H=47,2
Rear Piston Ø34 Lucas/Nih Type		
HONDA ACCORD, CIVIC, PRELUDE; ROVER 600 SERIES; SUZUKI SX4		



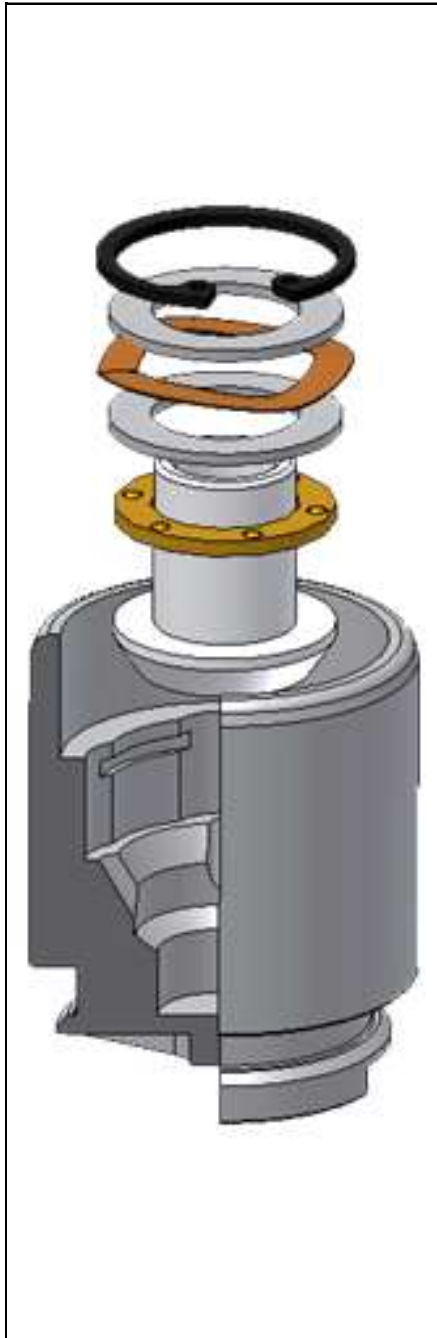
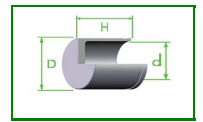
K344801		
D=34	d=29	H=48
Rear Piston Ø34 TRW Type		
HYUNDAI, KIA, MITSUBISHI, NISSAN, SMART		



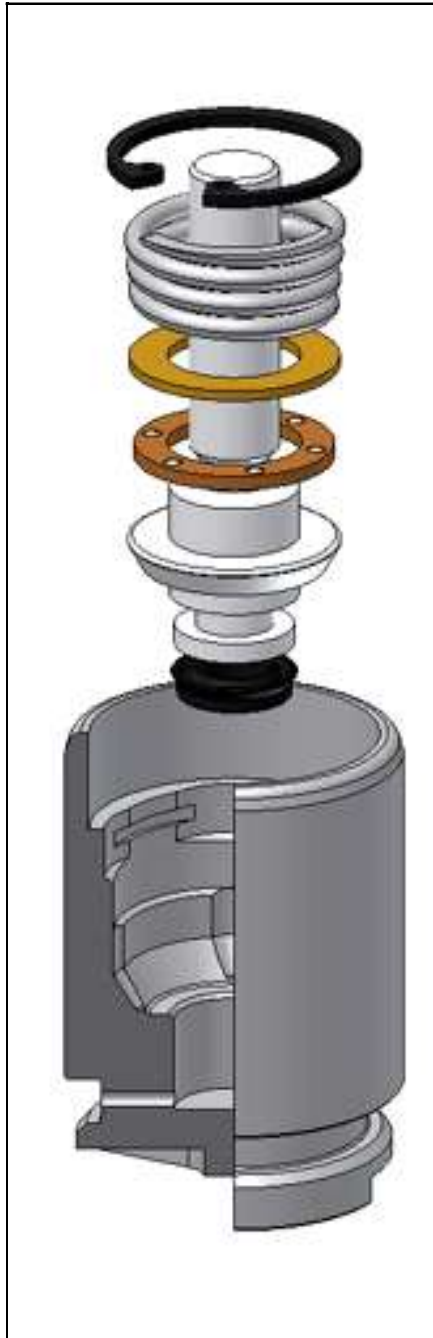
K345001		
D=34	d=29	H=49,7
Rear Piston Ø34 Ate Type		
MINI MINI, TOYOTA YARIS		



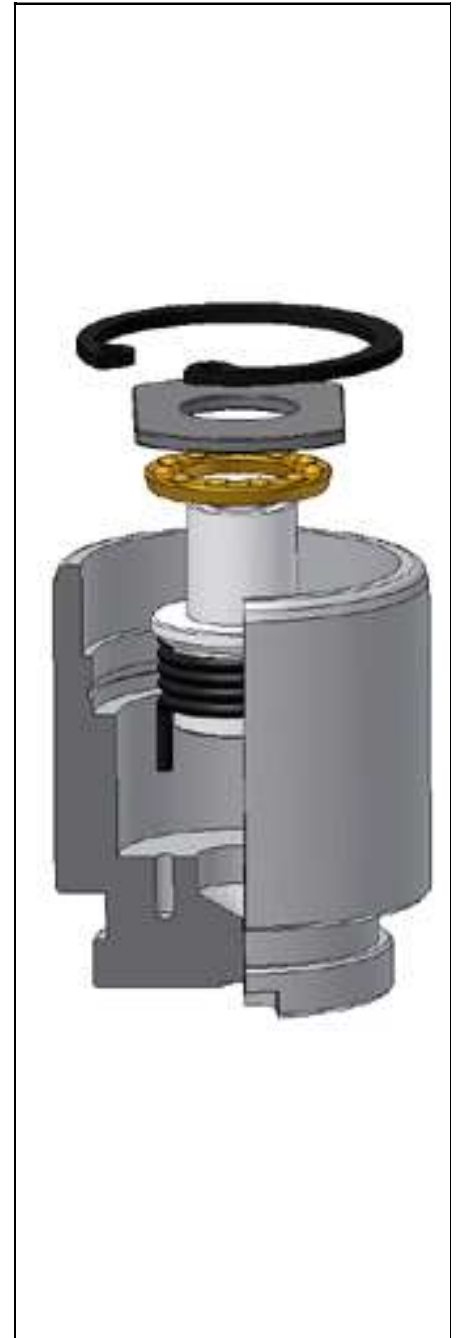
K353901		
D=35	d=28	H=39,5
Rear Piston Ø30 Akebono Type		
MAZDA 323, 626, 929, RX7		



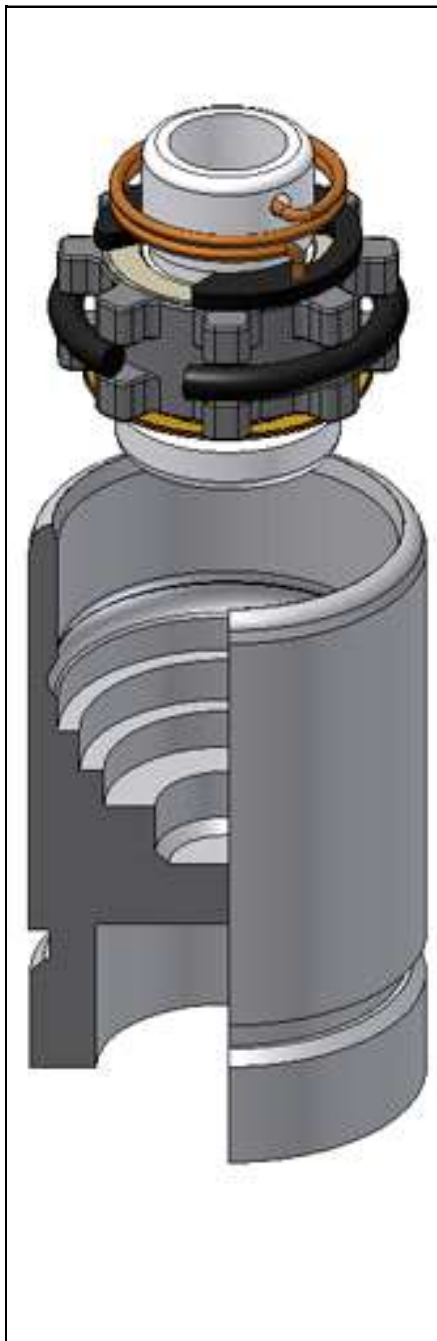
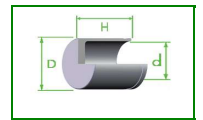
K354001		
D=35	d=29,5	H=40
Rear Piston Ø35 Akebono Type		
MAZDA 323, 626, PREMACY, RX7		



K354501		
D=35	d=30	H=45
Rear Piston Ø35 Akebono Type		
MAZDA 6, TOYOTA COROLLA		



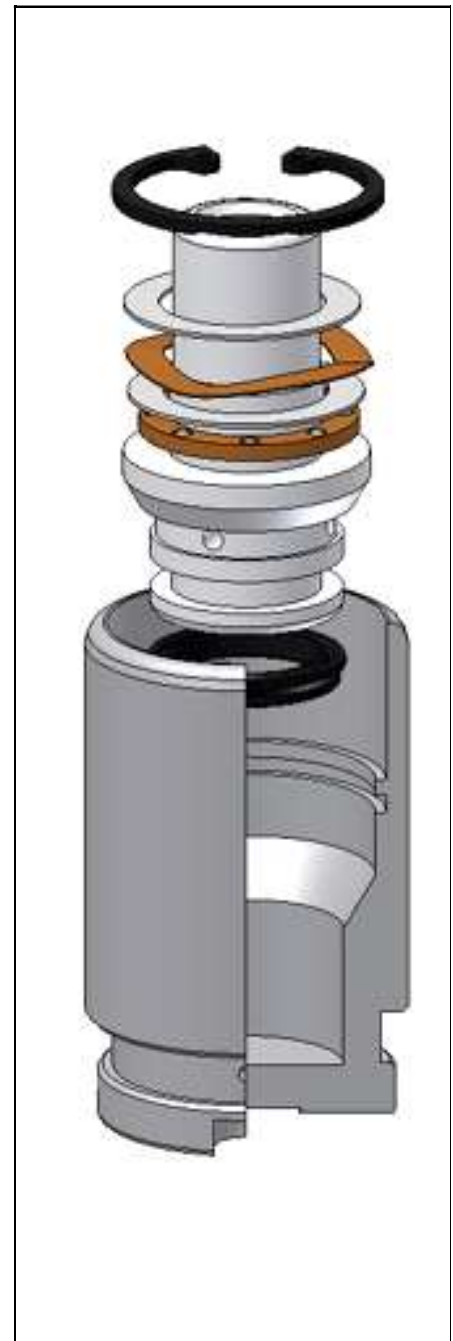
K354503		
D=35	d=29	H=45
Rear Piston Ø35 Akebono Type		
MITSUBISHI CARISMA, COLT, ECLIPSE, GALANT, LANCER		



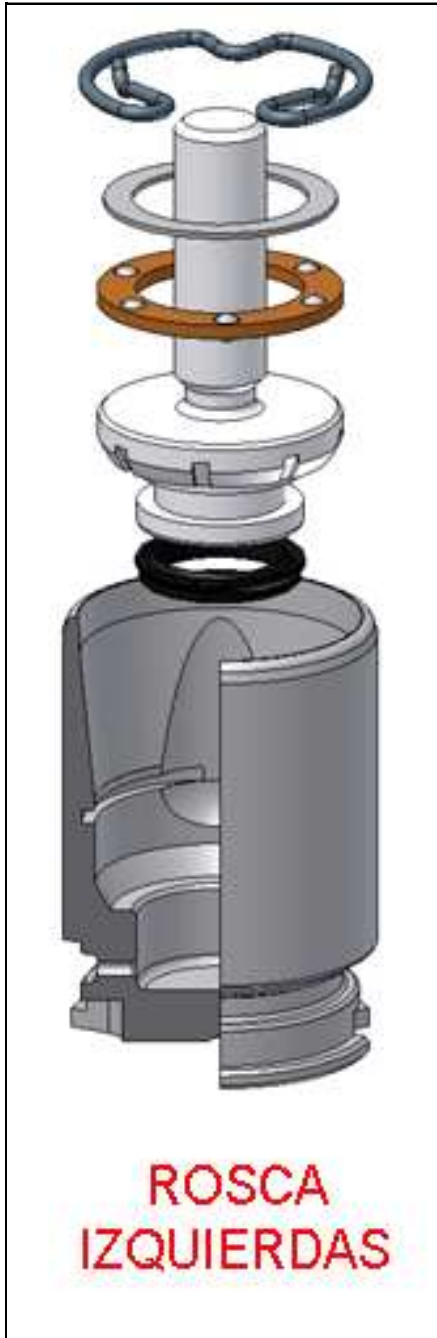
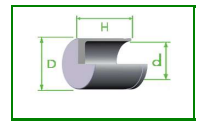
K354505		
D=35	d=25,8	H=45,5
Rear Piston Ø35 Nabco Type		
MAZDA MX5		



K364701		
D=36	d=32	H=47
Rear Piston Ø36 BoschType		
OPEL ASTRA, ZAFIRA		



K364805		
D=36	d=31	H=48
Rear Piston Ø36 TRW Type		
MINI MINI; OPEL ASTRA, MERIVA, ZAFIRA		



**ROSCA
IZQUIERDAS**

K364901L

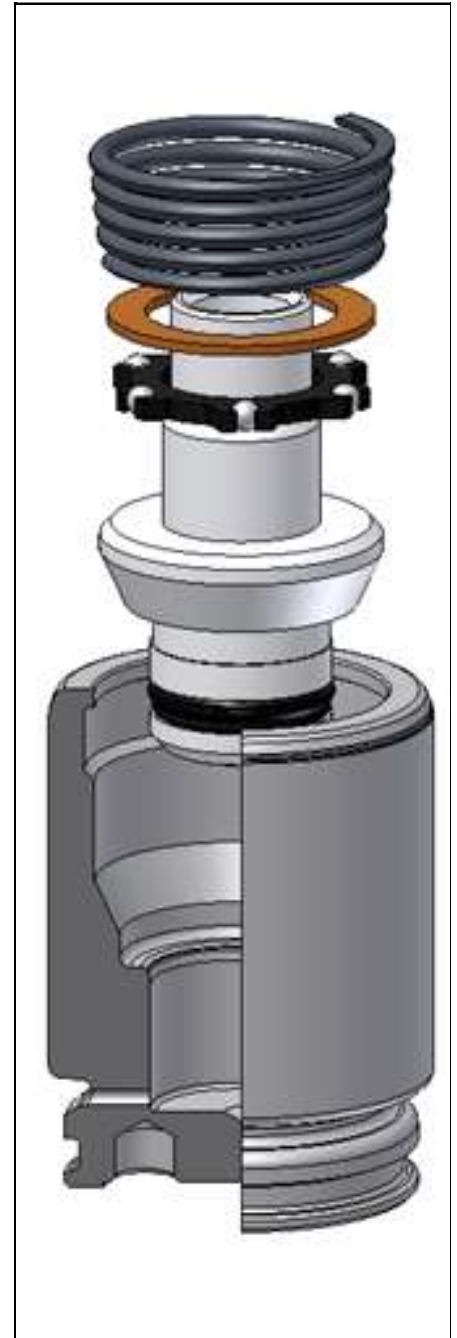
D=36	d=31,5	H=49
Rear Piston Ø36 BoschType		
FIAT PUNTO; OPEL CORSA; TOYOTA AURIS, COROLLA		



**ROSCA
DERECHAS**

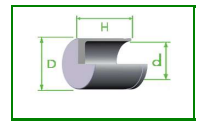
K364901R

D=36	d=31,5	H=49
Rear Piston Ø36 BoschType		
FIAT PUNTO; OPEL CORSA; TOYOTA AURIS, COROLLA		



K365001

D=36	d=29	H=50
Rear Piston Ø36 Ate Type		
FORD TOURNEO, TRANSIT		



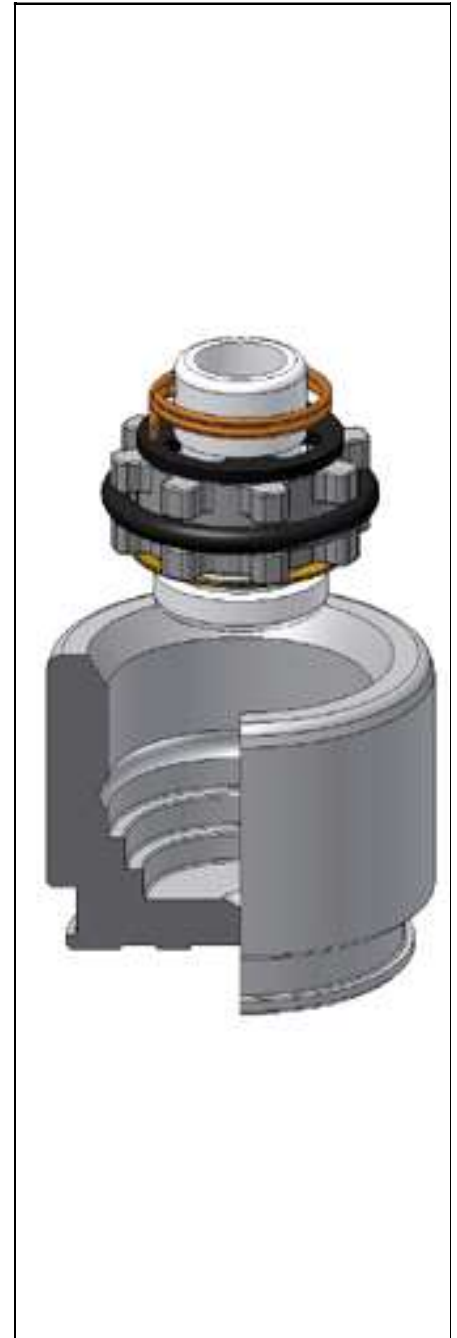
**ROSCA
IZQUIERDAS**

K365101L		
D=36	d=26	H=50,9
Rear Piston Ø36 Brembo Type		
RENAULT ESPACE, LAGUNA, NEVADA, R21, SAFRANE		



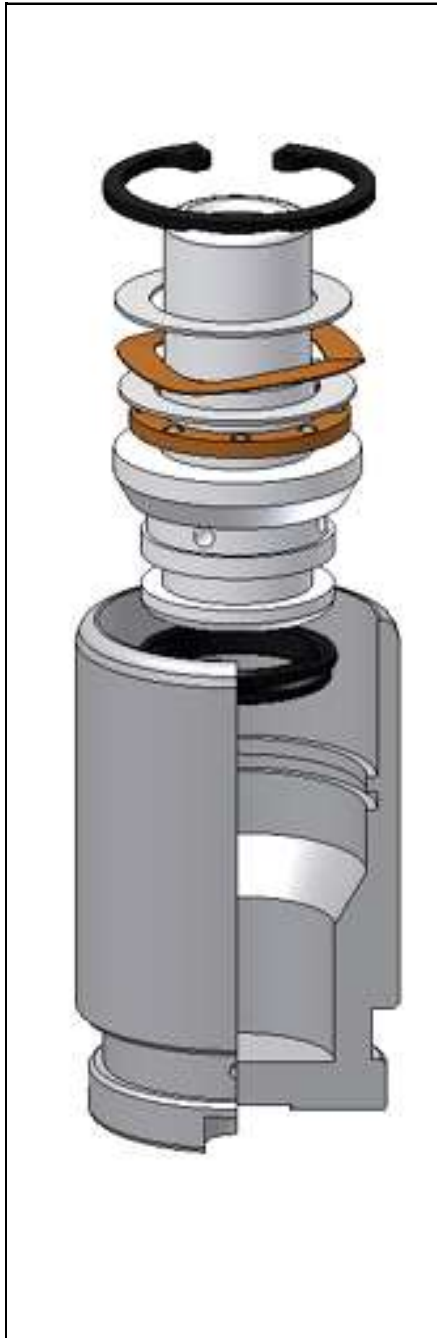
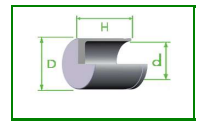
**ROSCA
DERECHAS**

K365101R		
D=36	d=26	H=50,9
Rear Piston Ø36 Brembo Type		
RENAULT ESPACE, LAGUNA, NEVADA, R21, SAFRANE		

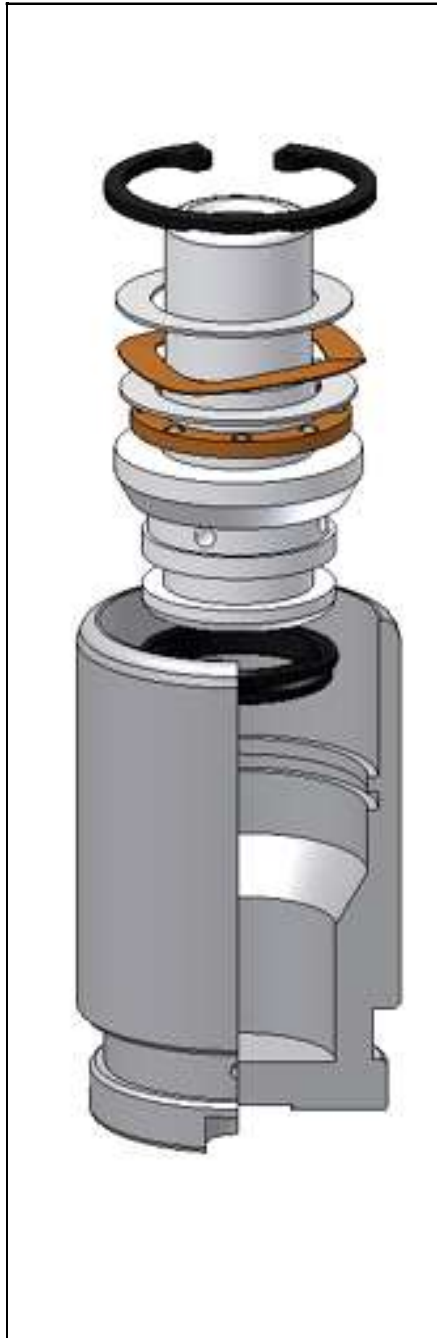


K383001

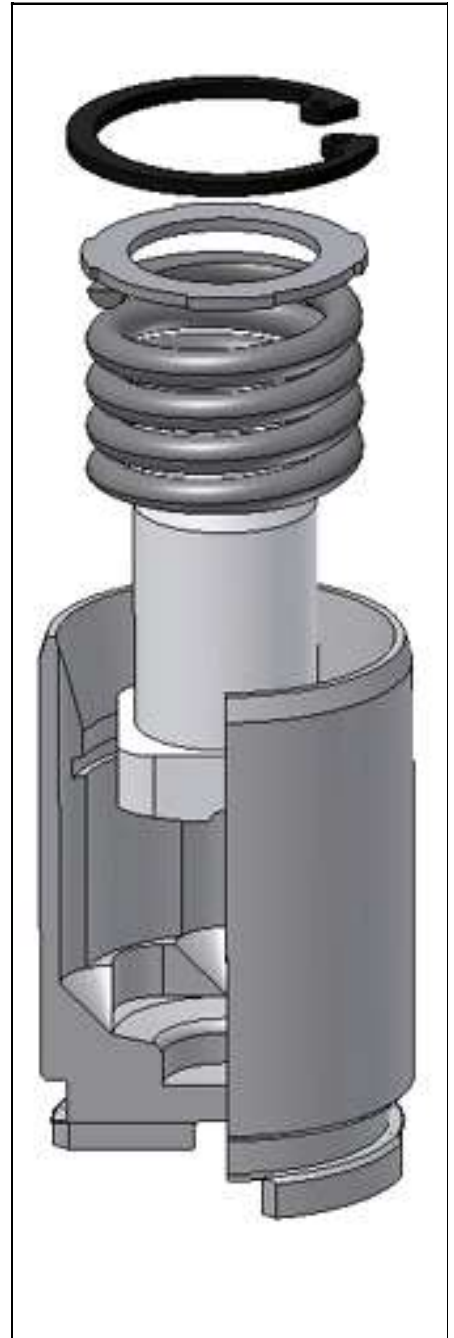
D=38	d=26	H=30,5
Rear Piston Ø38 Ate Type		
ALFA ROMEO ALFETTA, GIULETTA, GTV, SPIDER, 75, 90; PORSCHE 914		



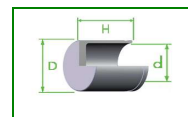
K384102		
D=38	d=29,5	H=41
Rear Piston Ø38 Kasko Type		
KIA CARENS		



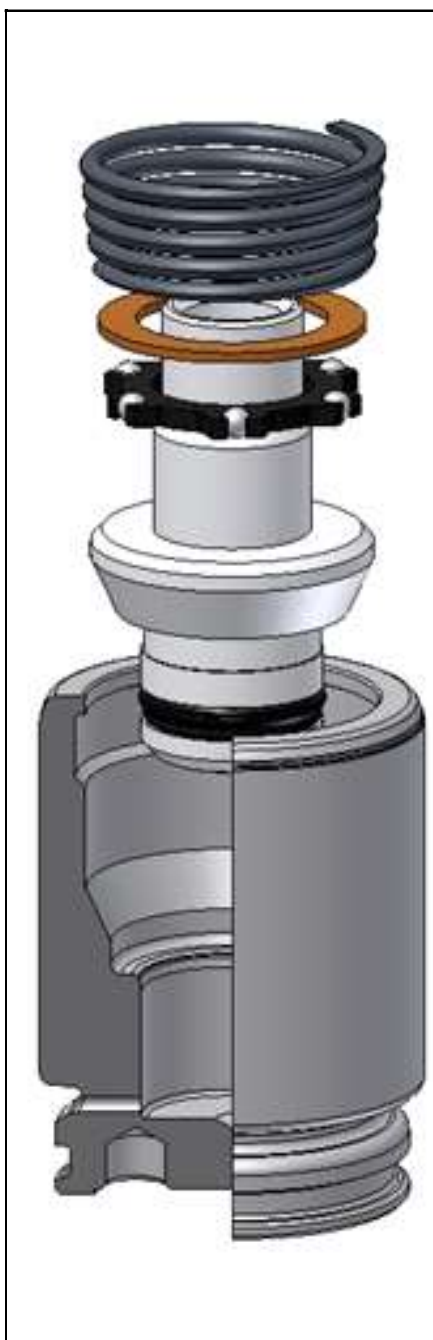
K384601		
D=38	d=33	H=46,8
Rear Piston Ø38 Lucas Type		
HONDA, HYUNDAI, LEXUS, NISSAN, ROVER, SUBARU, TOYOTA		



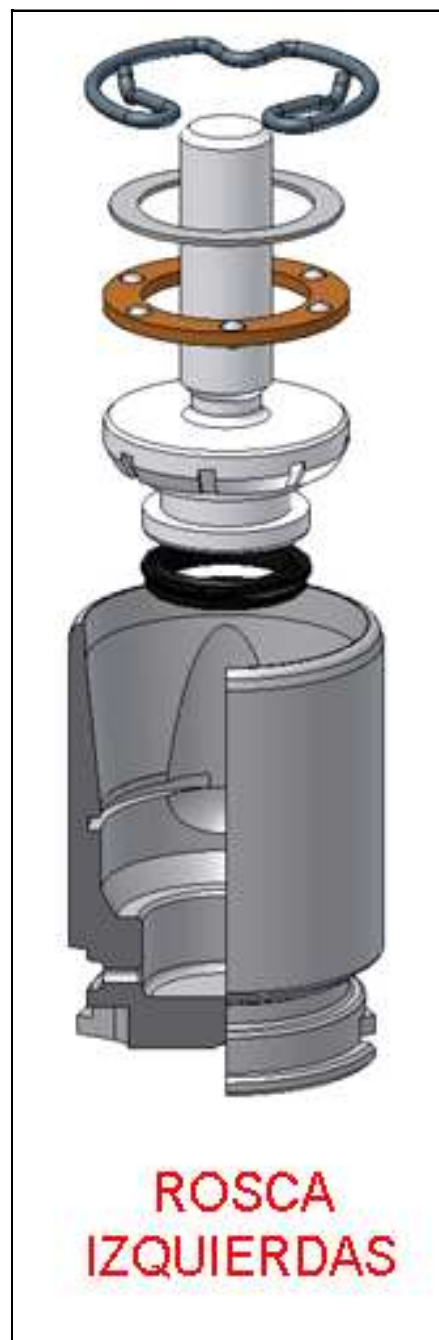
K384701		
D=38	d=33	H=47,2
Rear Piston Ø38 NIH Type		
HONDA ACCORD, LEGEND; MAZDA MX5		



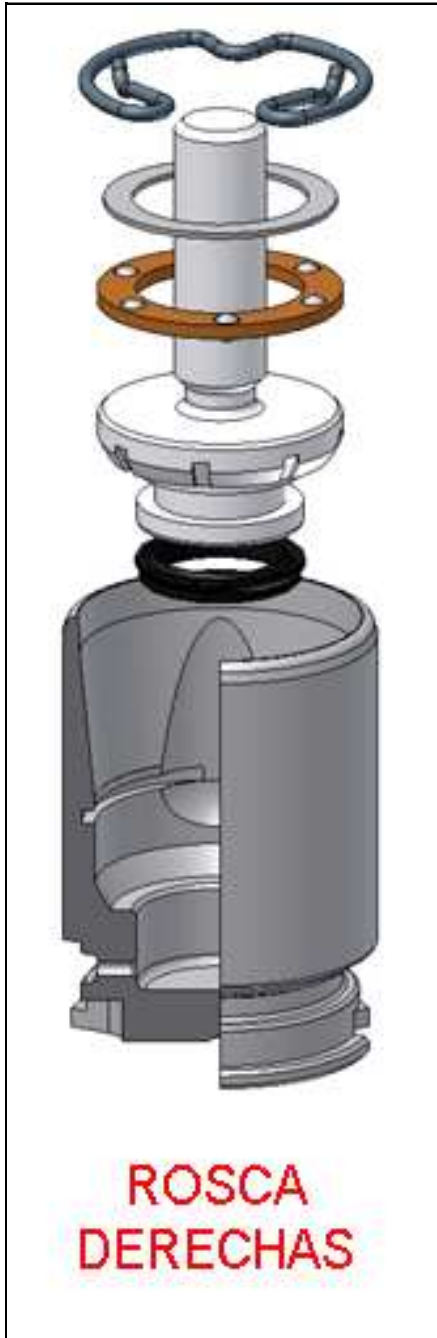
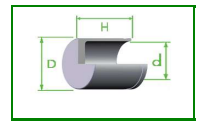
K384702		
D=38	d=34	H=47
Rear Piston Ø38 Bosch Type		
FIAT BRAVO, BRAVA, MULTIPLA, STILO; OPEL ASTRA, ZAFIRA		



K384805		
D=38	d=29	H=48
Rear Piston Ø38 Ate Type		
CHEVROLET CRUZE; OPEL ASTRA, MOKKA		

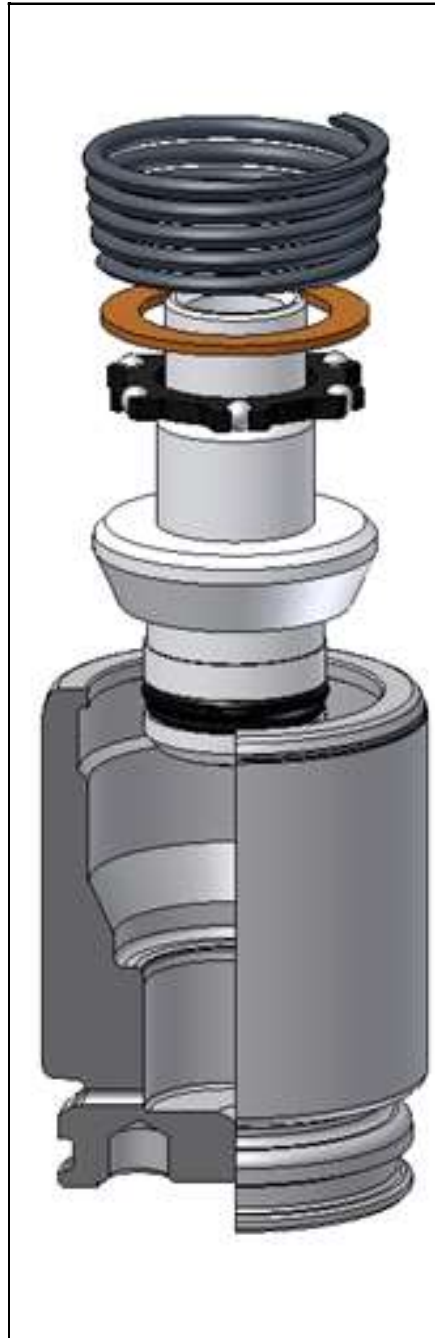


K384901L		
D=38	d=32,2	H=49
Rear Piston Ø38 Bosch Type		
ALFA, AUDI, CITROËN, FIAT, FORD, JAGUAR, PEUGEOT, SEAT, SKODA, VW		

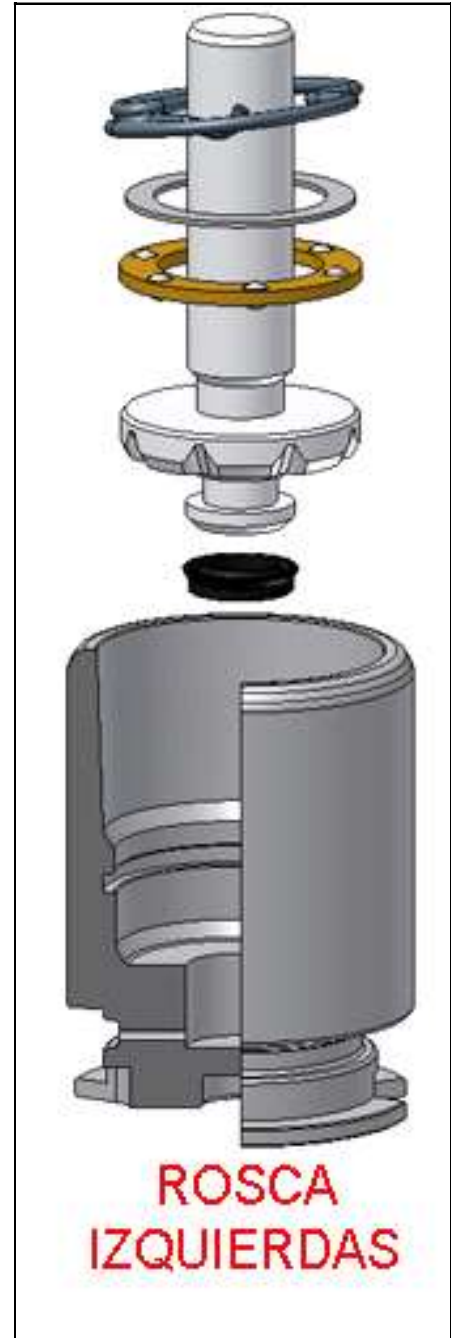


**ROSCA
DERECHAS**

K384901R		
D=38	d=32,2	H=49
Rear Piston Ø38 Bosch Type		
ALFA, AUDI, CITROËN, FIAT, FORD, JAGUAR, PEUGEOT, SEAT, SKODA, VW		

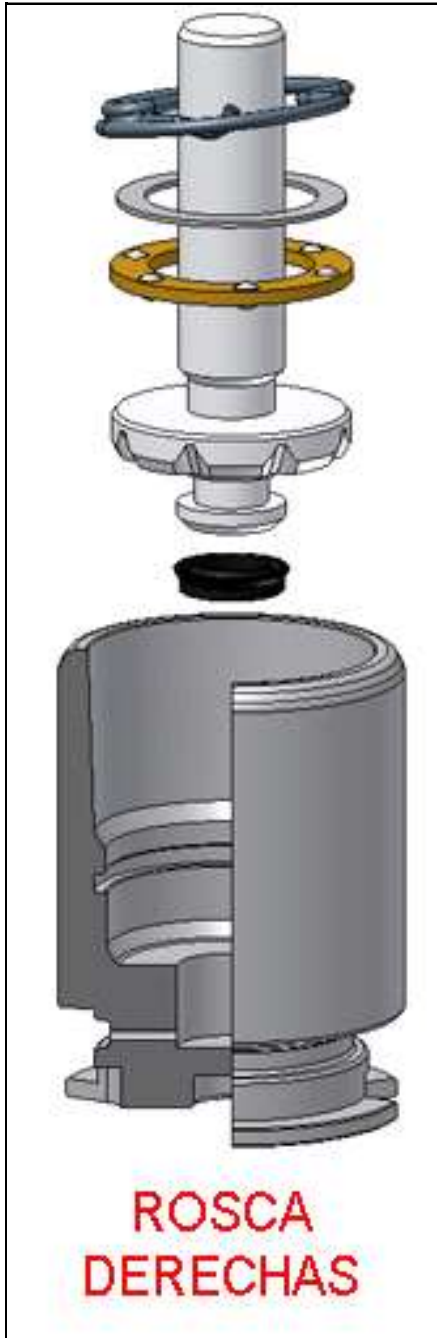
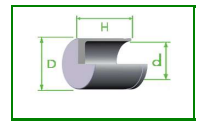


K384902		
D=38	d=29	H=49,7
Rear Piston Ø38 Teves Type		
CITROËN, FORD, HONDA, MAZDA, NISSAN, OPEL, RENAULT, SAAB, VOLVO		



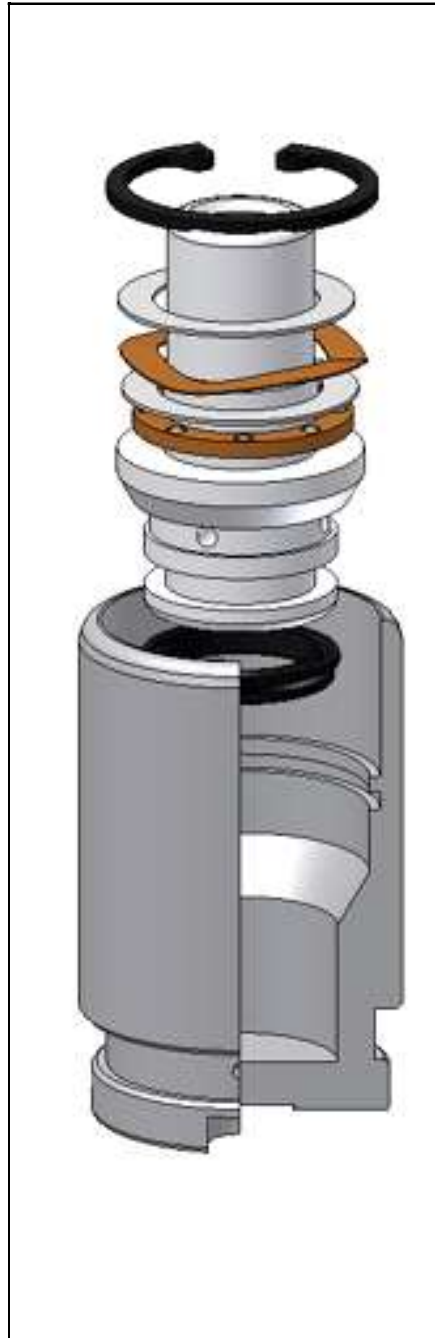
**ROSCA
IZQUIERDAS**

K385002L		
D=38	d=33,4	H=50,35
Rear Piston Ø38 Bosch Type		
CITROËN C4 PICASSO, C4 GRAND PICASSO; TOYOTA AVENSIS		



**ROSCA
DERECHAS**

K385002R		
D=38	d=33,4	H=50,35
Rear Piston Ø38 Bosch Type		
CITROËN C4 PICASSO, C4 GRAND PICASSO; TOYOTA AVENSIS		

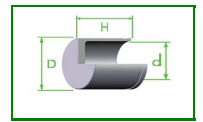


K385101		
D=38	d=33	H=51
Rear Piston Ø38 Lucas Type		
ALFA, VAG, PSA, GM, FIAT, HONDA, MITSUBISHI, LANCIA, NISSAN, VOLVO		



**ROSCA
IZQUIERDAS**

K385102L		
D=38	d=33	H=51
Rear Piston Ø38 Bosch Type		
FORD MONDEO, RENAULT KANGOO		



ROSCA DERECHAS

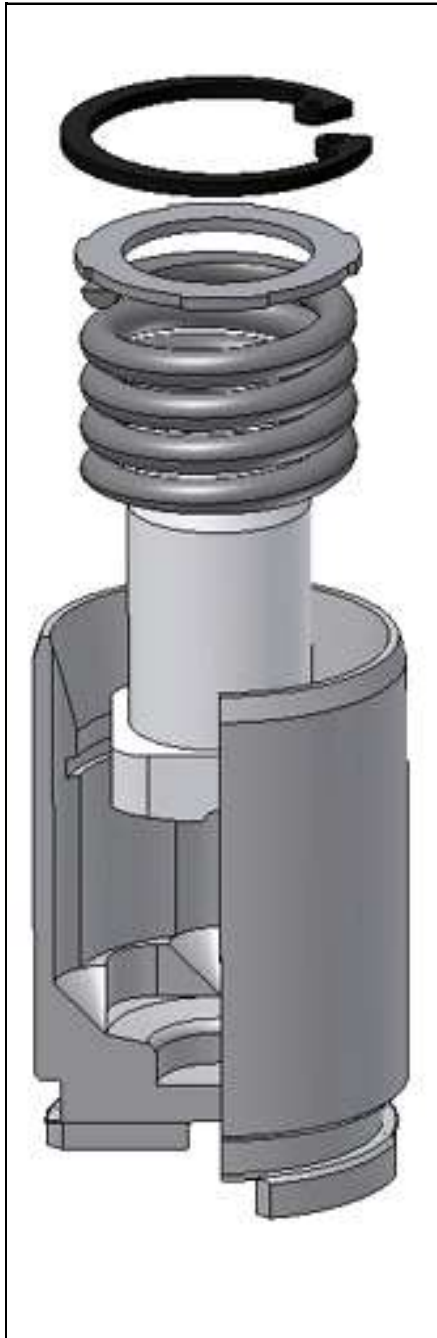
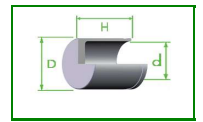
K385102R		
D=38	d=33	H=51
Rear Piston Ø38 Bosch Type		
FORD MONDEO, RENAULT KANGOO		

ROSCA IZQUIERDAS

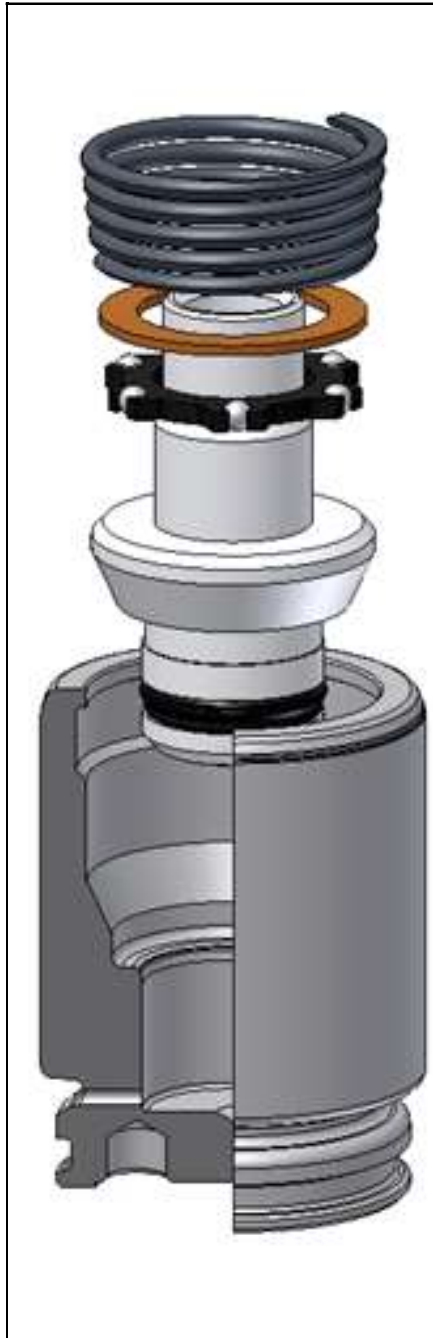
K385103L		
D=38	d=33	H=51
Rear Piston Ø38 Bosch Type		
RENAULT KANGOO		

ROSCA DERECHAS

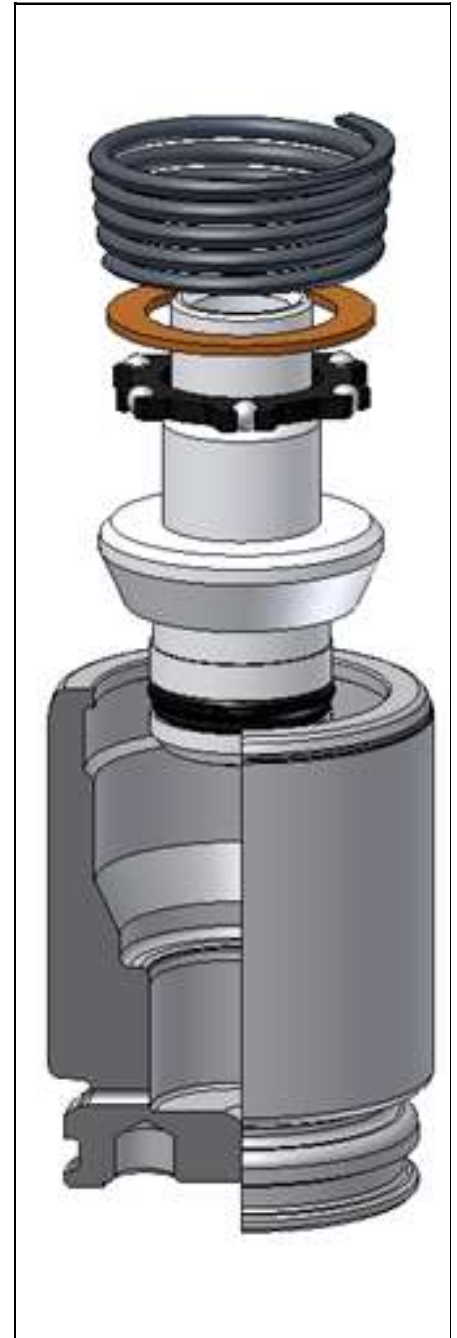
K385103R		
D=38	d=33	H=51
Rear Piston Ø38 Bosch Type		
RENAULT KANGOO		



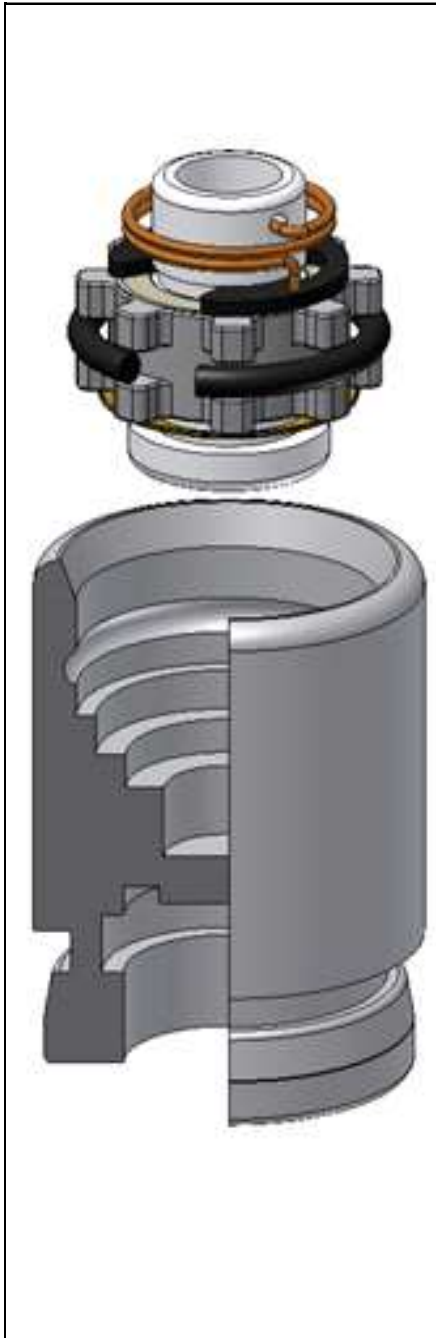
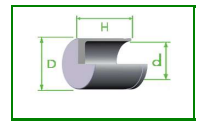
K404701		
D=40,4	d=24,5	H=47
Rear Piston Ø40 Nissin Type		
HONDA S2000		



K404803		
D=40	d=29	H=48
Rear Piston Ø40 Ate Type		
CHEVROLET CRUZE, ORLANDO; OPEL ASTRA		



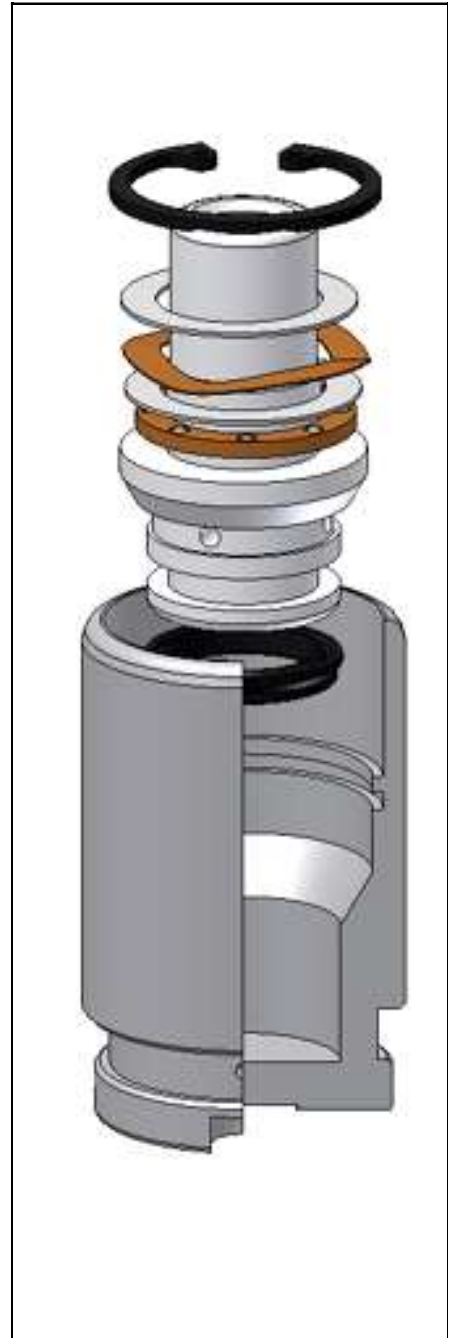
K404905		
D=40	d=29	H=49,7
Rear Piston Ø40 Ate Type		
OPEL GT, SIGNUM, VECTRA		



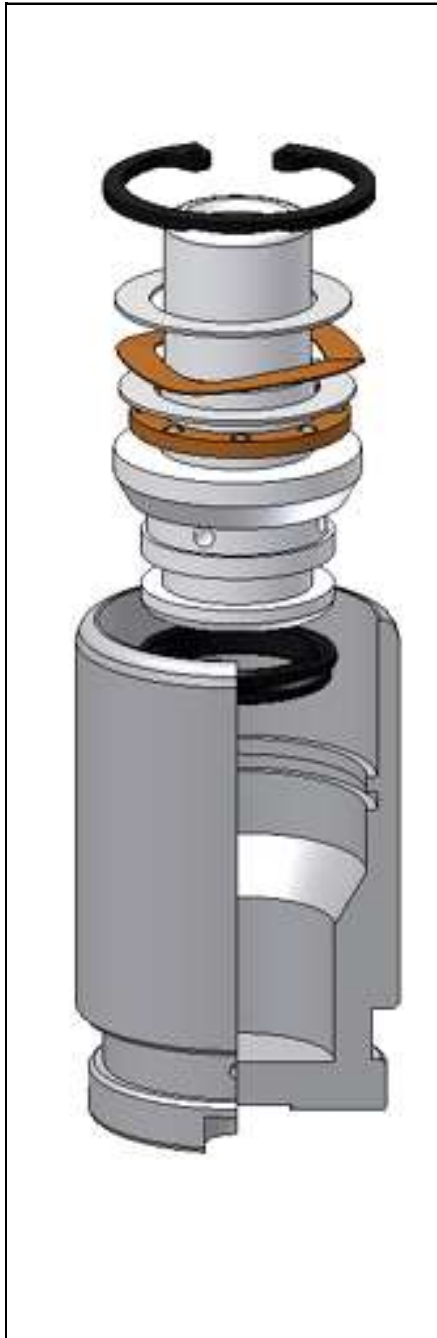
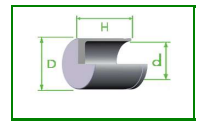
K414301		
D=41	d=26	H=44
Rear Piston Ø41 NBK Type		
ISUZU TROOPER		



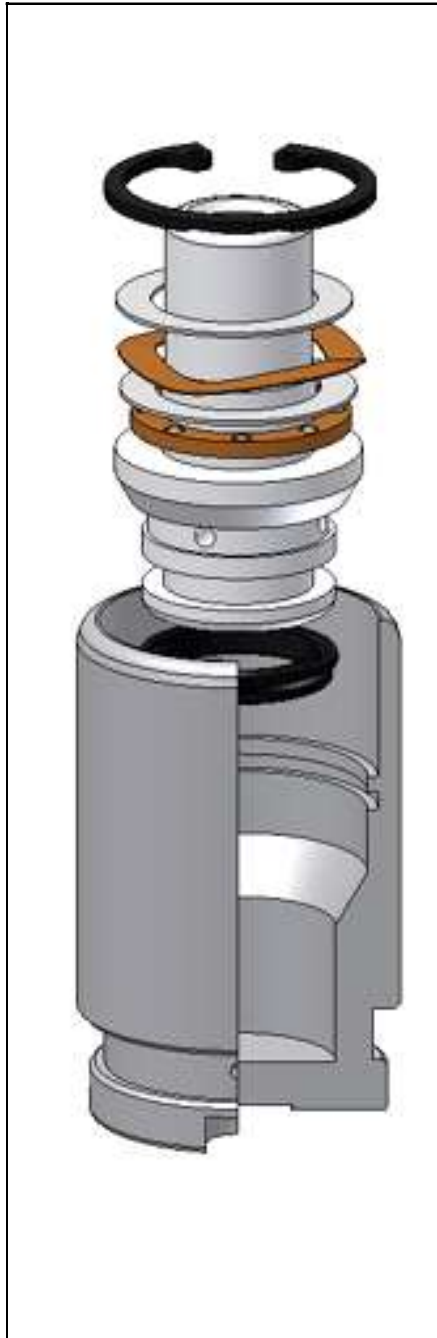
K414601		
D=41,2	d=35	H=46,5
Rear Piston Ø41 Akeb. Type		
TOYOTA MR2		



K415101		
D=41	d=35	H=51
Rear Piston Ø41 Lucas Type		
ALFA, AUDI, CITROËN, FIAT, NISSAN, OPEL, RENAULT, SEAT, SKODA, VW		



K424601		
D=43	d=34,4	H=46,8
Rear Piston Ø 42.8 Lucas Type		
FORD, MAZDA, NISSAN		

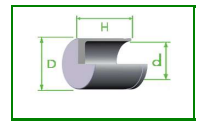


K425102		
D=43	d=34,4	H=51,3
Rear Piston Ø42.8 Lucas type		
AUDI, CHRYSLER, JAGUAR, VW		



K425103L		
D=42	d=36,5	H=51
Rear Piston Ø42 Bosch Type		
NISSAN INTERSTAR; OPEL MOVANO; RENAULT MASTER		

**ROSCA
IZQUIERDAS**



**ROSCA
DERECHAS**

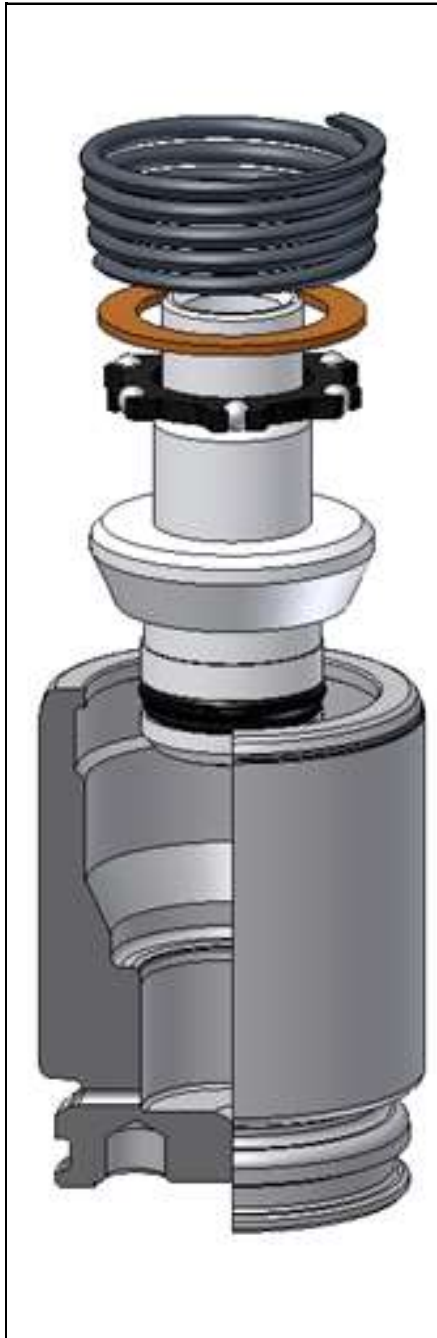
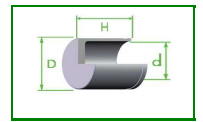
K425103R		
D=42	d=36,5	H=51
Rear Piston Ø42 Bosch Type		
NISSAN INTERSTAR; OPEL MOVANO; RENAULT MASTER		



K434602		
D=43	d=35	H=46
Rear Piston Ø43 Akeb Type		
TOYOTA MR2		



K444602		
D=44,3	d=35	H=46
Rear Piston Ø44 Akeb. Type		
TOYOTA MR2		



K454901

D=45	d=29	H=49,7
Rear Piston Ø45 Ate Type		
JAGUAR XJ, XJS, XF, XK SERIES		



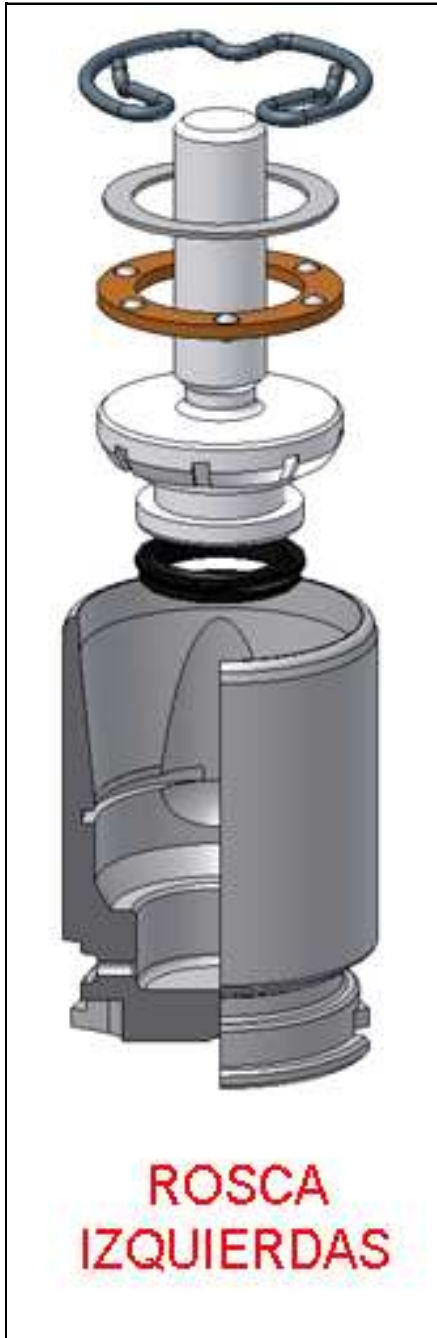
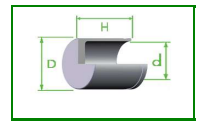
K466601L

D=46	d=26	H=66
Rear Piston Ø46 Brembo Type		
NISSAN CABSTAR/ATLAS		



K466601R

D=46	d=26	H=66
Rear Piston Ø46 Brembo Type		
NISSAN CABSTAR/ATLAS		



**ROSCA
IZQUIERDAS**

K485205L

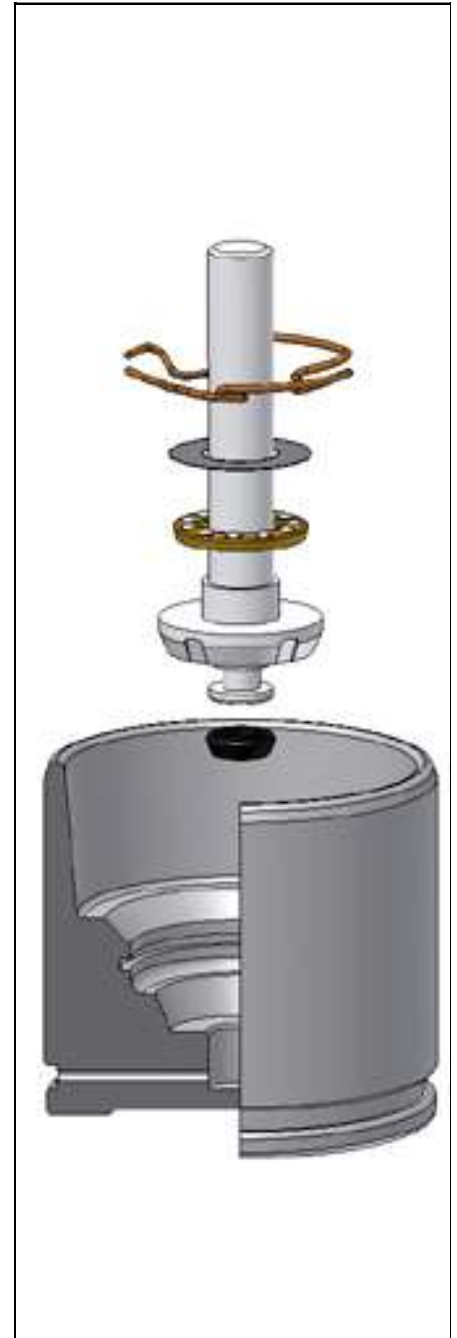
D=48	d=38	H=52
Rear Piston Ø48 Bosch Type		
FORD TRANSIT		



**ROSCA
DERECHAS**

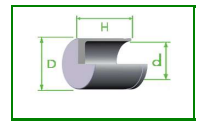
K485205R

D=48	d=38	H=52
Rear Piston Ø48 Bosch Type		
FORD TRANSIT		



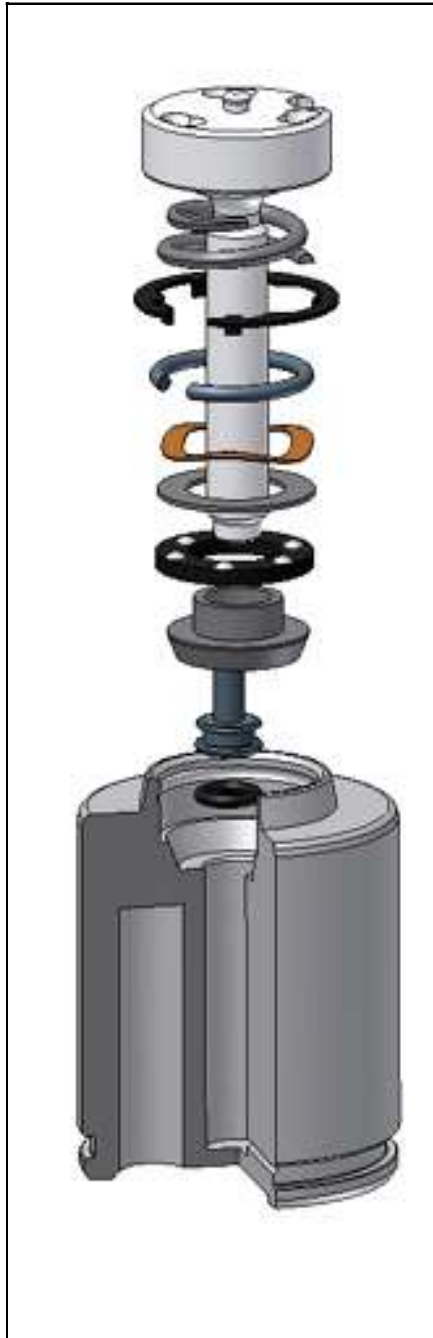
K485303

D=48	d=43	H=53,5
Rear Piston Ø48 Brembo Type		
NISSAN NV400, OPEL MOVANO, RENAULT MASTER		



K526501L

D=52	d=26	H=65
Rear Piston Ø52 Brembo Type		
IVECO DAILY		



K526501R

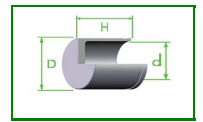
D=52	d=26	H=65
Rear Piston Ø52 Brembo Type		
IVECO DAILY		



**ROSCA
DERECHAS**

K545203R

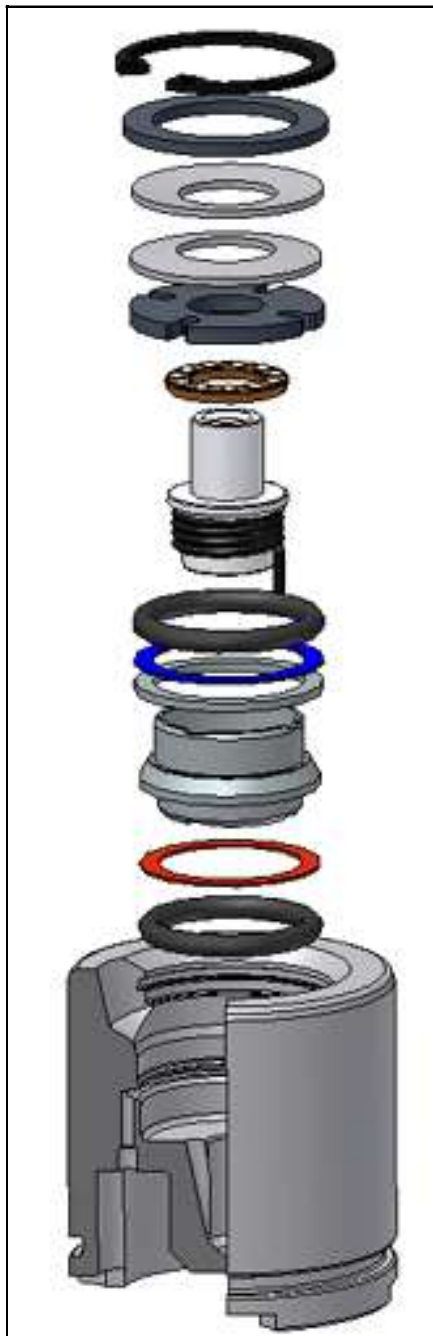
D=54	d=46	H=52,7
Front Piston Ø54 Bosch Type		
CITROËN C5		



**ROSCA
IZQUIERDAS**

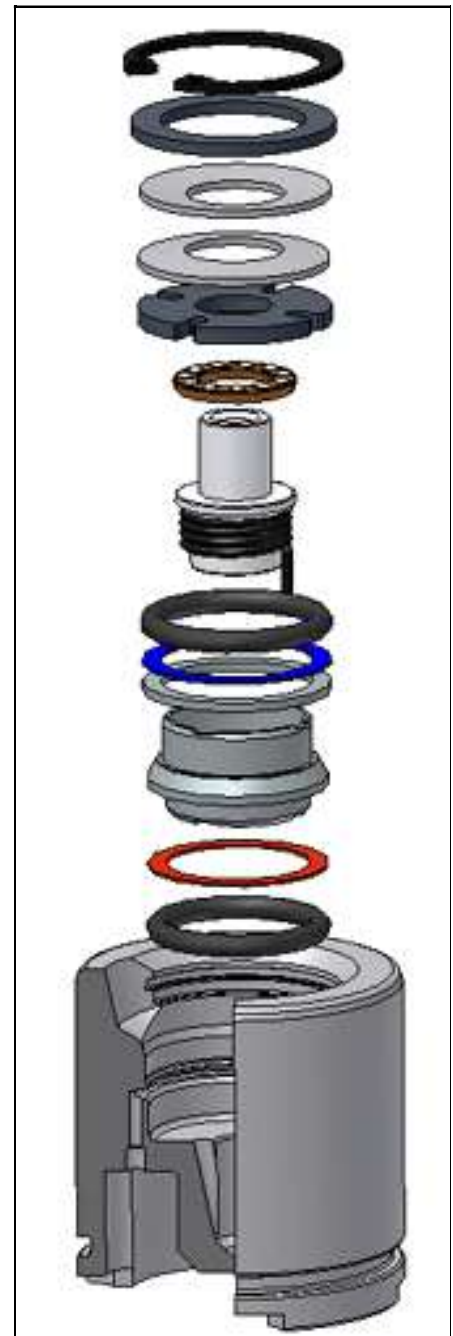
K545203L

D=54	d=46	H=52,7
Front Piston Ø54 Bosch Type		
CITROËN C5		



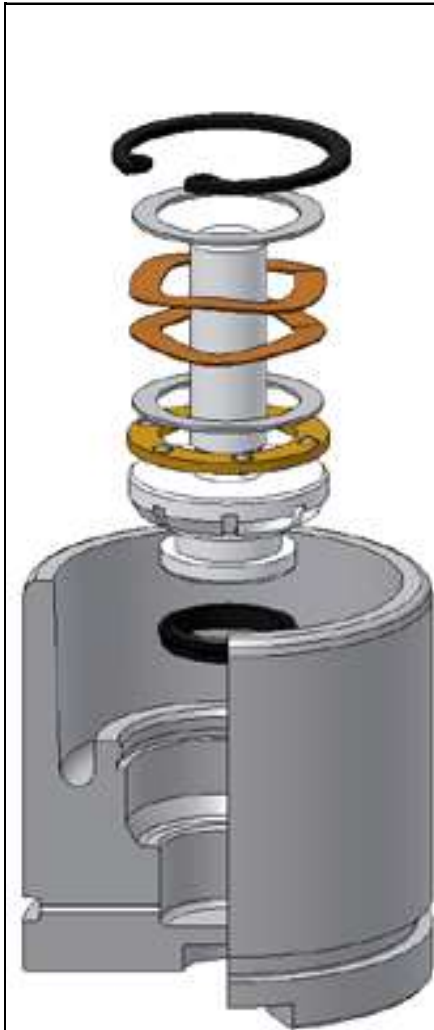
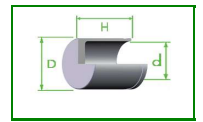
K545402

D=54	d=32	H=54
Front Piston Ø54 Bendix type		
CITROËN XANTIA		



K575104

D=57	d=32	H=51,6
Front Piston Ø57 Bendix Type		
CITROËN XANTIA, XM		



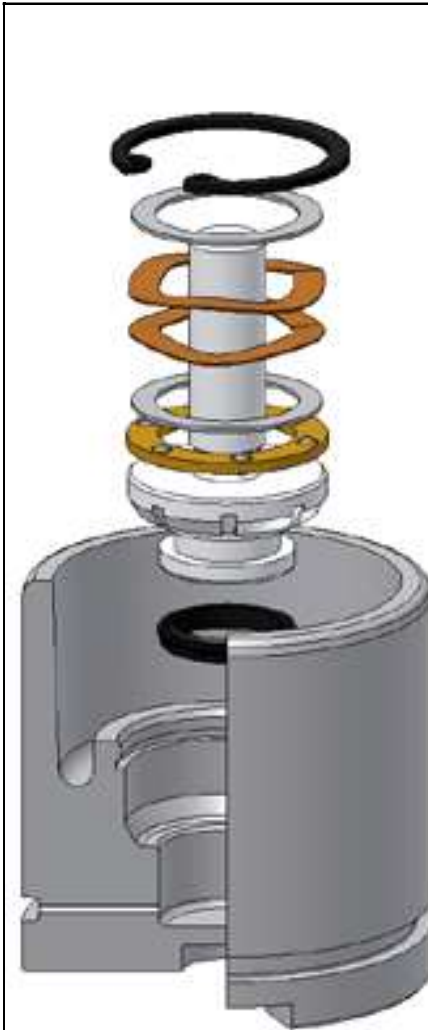
**ROSCA
IZQUIERDAS**

K575201L

D=57	d=49	H=52,7
------	------	--------

Front Piston Ø57 Bosch Type

CITROËN C5



**ROSCA
DERECHAS**

K575201R

D=57	d=49	H=52,7
------	------	--------

Front Piston Ø57 Bosch Type

CITROËN C5

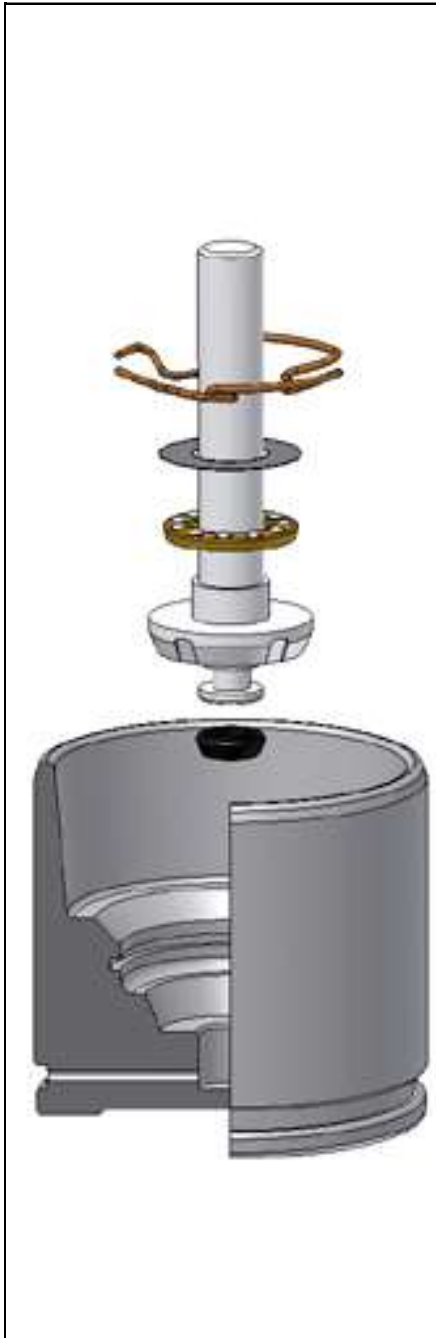
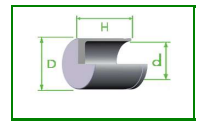


K605104

D=60	d=34	H=51,2
------	------	--------

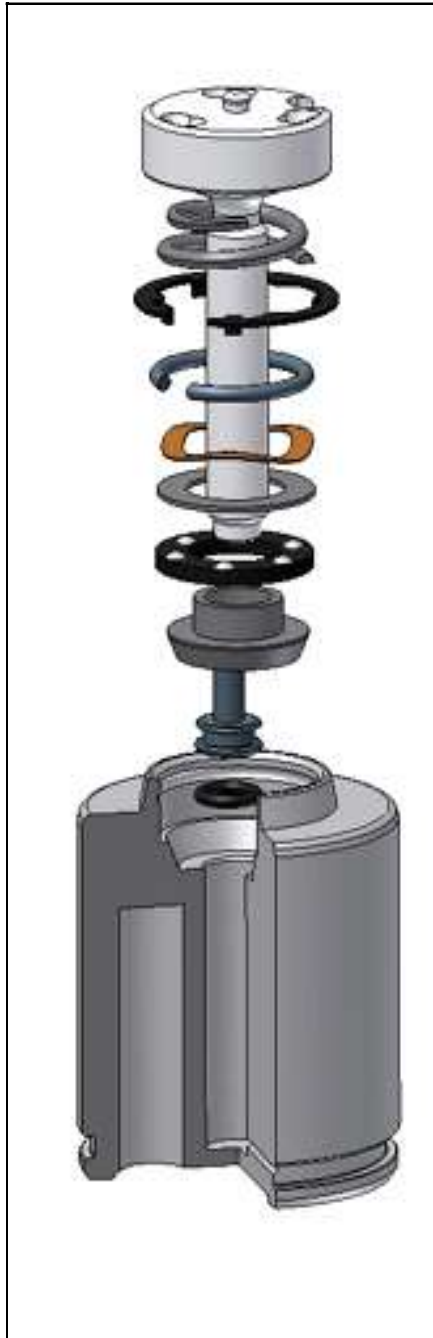
Front Piston Ø60 Bendix Type

CITROËN XANTIA



K605401

D=60	d=54	H=54
Rear Piston Ø60 Brembo Type		
NISSAN NV400, OPEL MOVANO, RENAULT MASTER III		



K606501R

D=60	d=26	H=65
Rear Piston Ø60 Brembo Type		
IVECO DAILY IV SERIES		



K606501L

D=60	d=26	H=65
Rear Piston Ø60 Brembo Type		
IVECO DAILY IV SERIES		